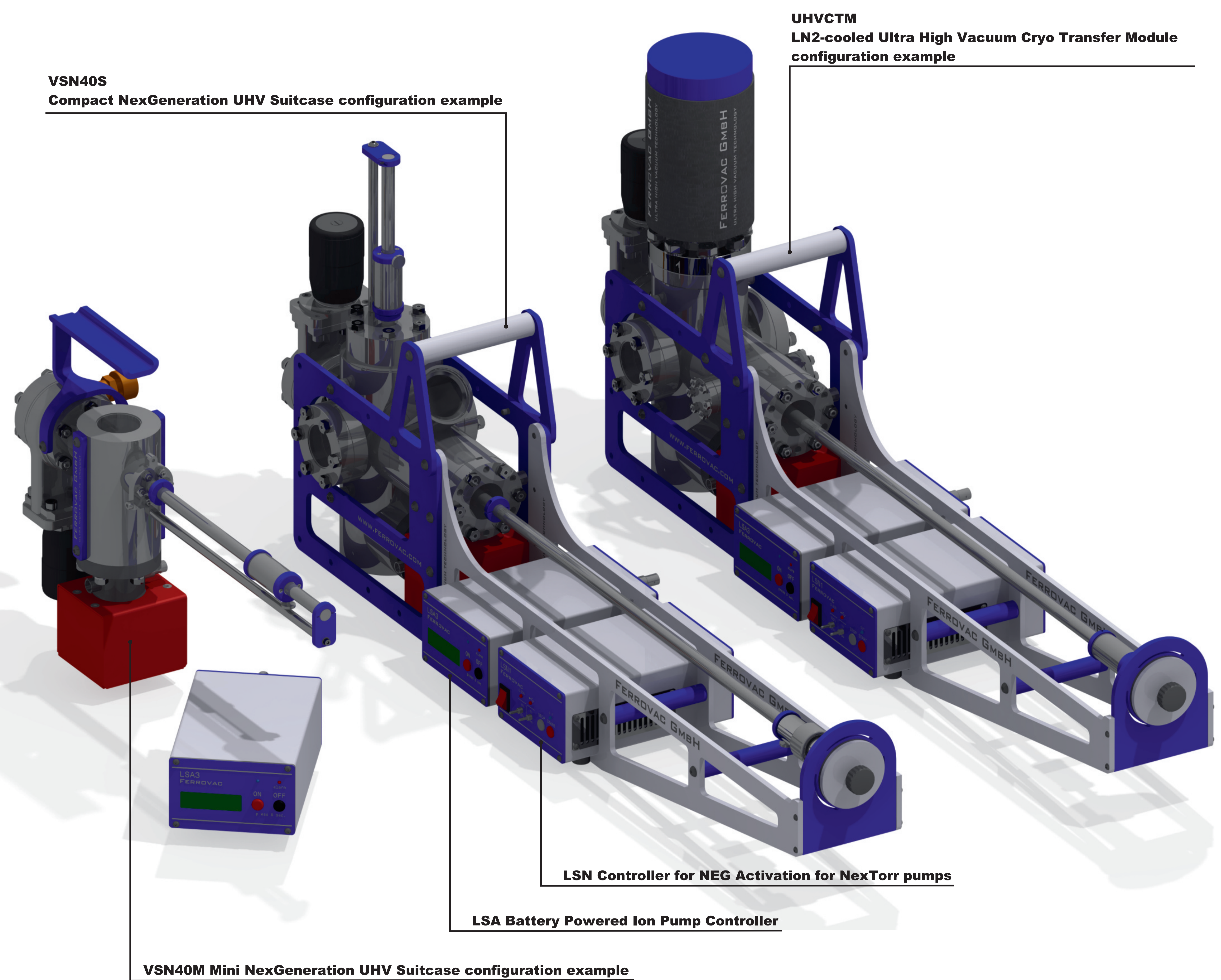


VSN40 UHV SUITCASE

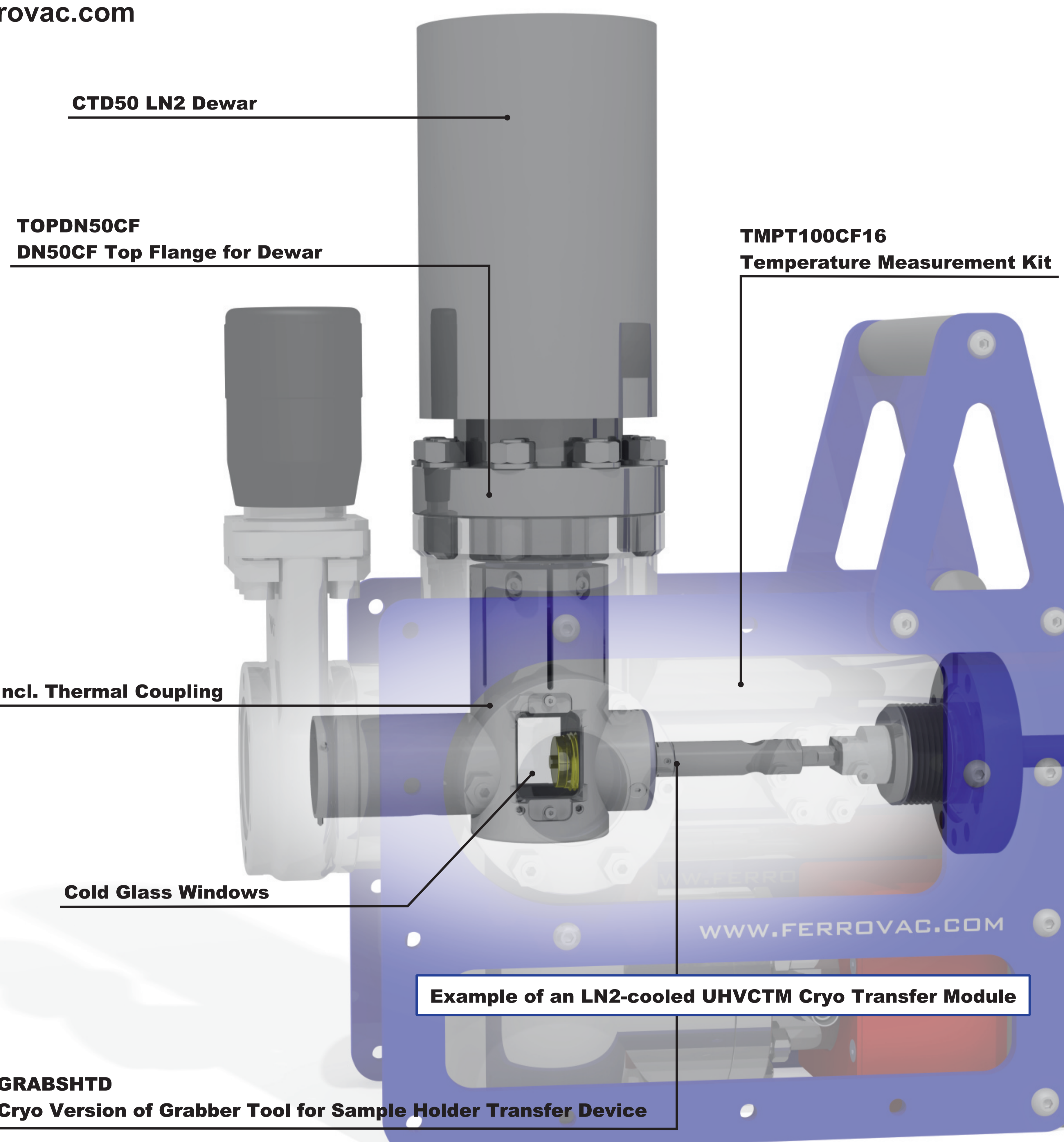
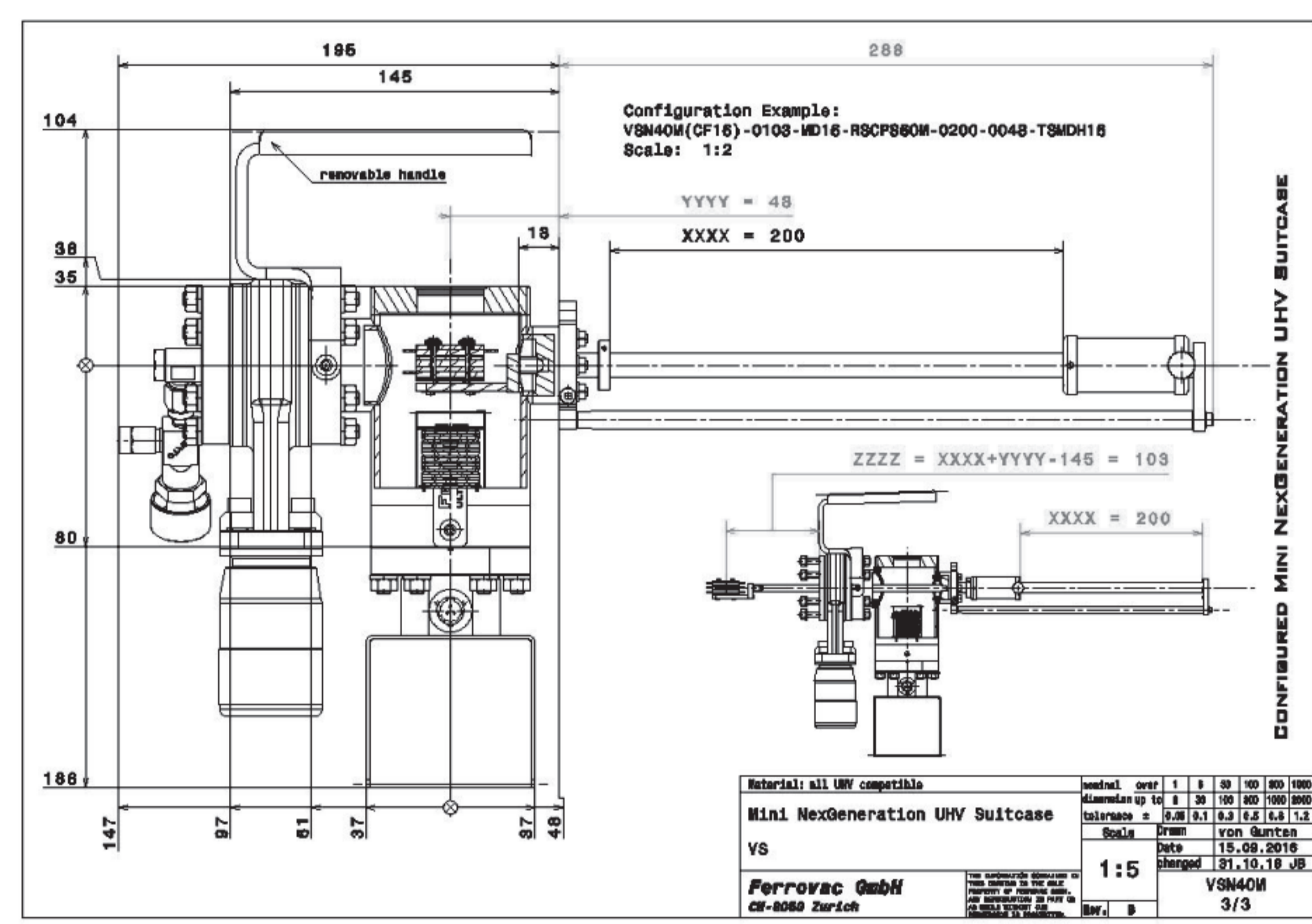
Available in a variety of configurations, the NexGeneration UHV Suitcase is a portable, compact and lightweight modular system to keep and carry your samples under true ultra-high vacuum conditions. It is delivered under vacuum, fully baked and ready to use.

Availability of combined Non-Evaporable Getter (NEG) and Ion-pump technology in the same pump made it's slim design feasible. The type and travel range of the transfer arm, as well as the sample-grabbing mechanism and/or storage receptacles for multiple samples, can be configured modularly. The NexGeneration UHV Suitcase is fully compatible with our wide range of sample manipulators such as linear/rotary feedthroughs, wobblesticks and sample transporters.



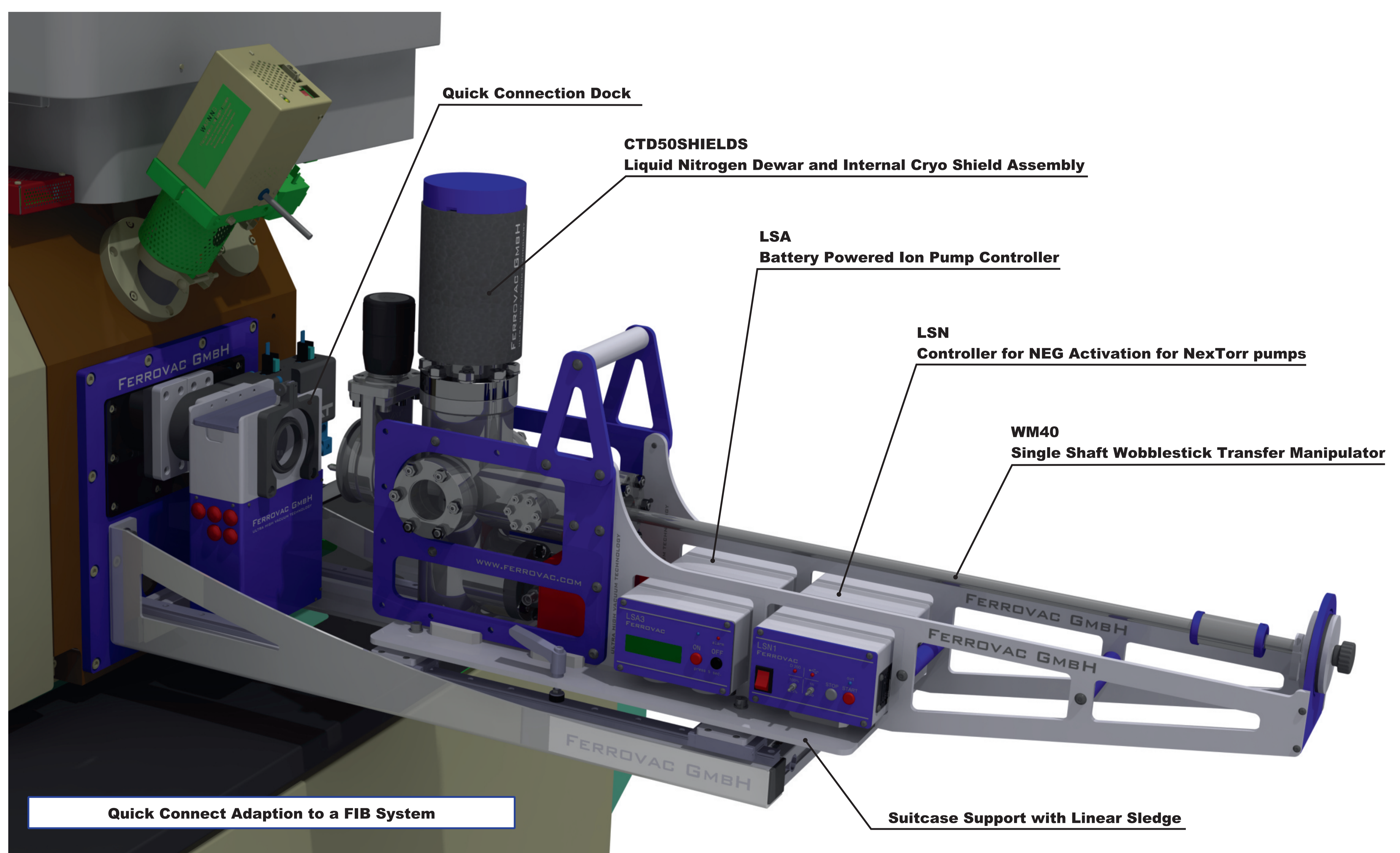
Our functional NexGeneration UHV Suitcase is a reliable system to carry your samples under ultra-high vacuum conditions.

Please do not hesitate to contact us directly: suitcase@ferrovac.com



NexGeneration UHV-Suitcase References:

- Max-Planck-Institute for Solid State Research, Stuttgart
 - Institute of Applied Physics, University of Hamburg
 - Institute of Semiconductor and Solid State Physics, Johannes Kepler University Linz
 - Synchrotron SOLEIL, Gif-sur-Yvette
 - MAX-lab, Lund University
 - NIMS, Tsukuba
- More UHV-Suitcases are successfully operational at further sites.



+ SWISS UHV TECHNOLOGY SINCE 1996 **+**

@ferrovac