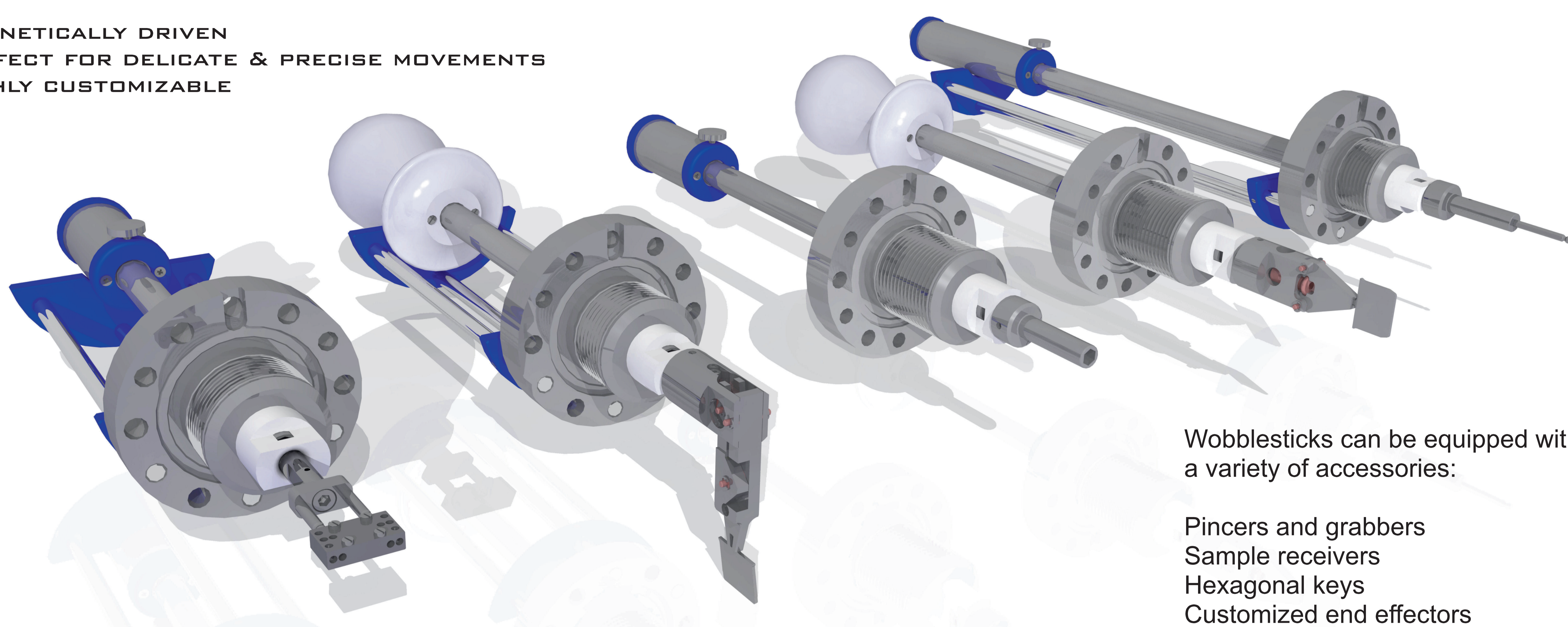


WM WOBBLESTICK MANIPULATORS

MAGNETICALLY DRIVEN
PERFECT FOR DELICATE & PRECISE MOVEMENTS
HIGHLY CUSTOMIZABLE



Wobblesticks can be equipped with a variety of accessories:

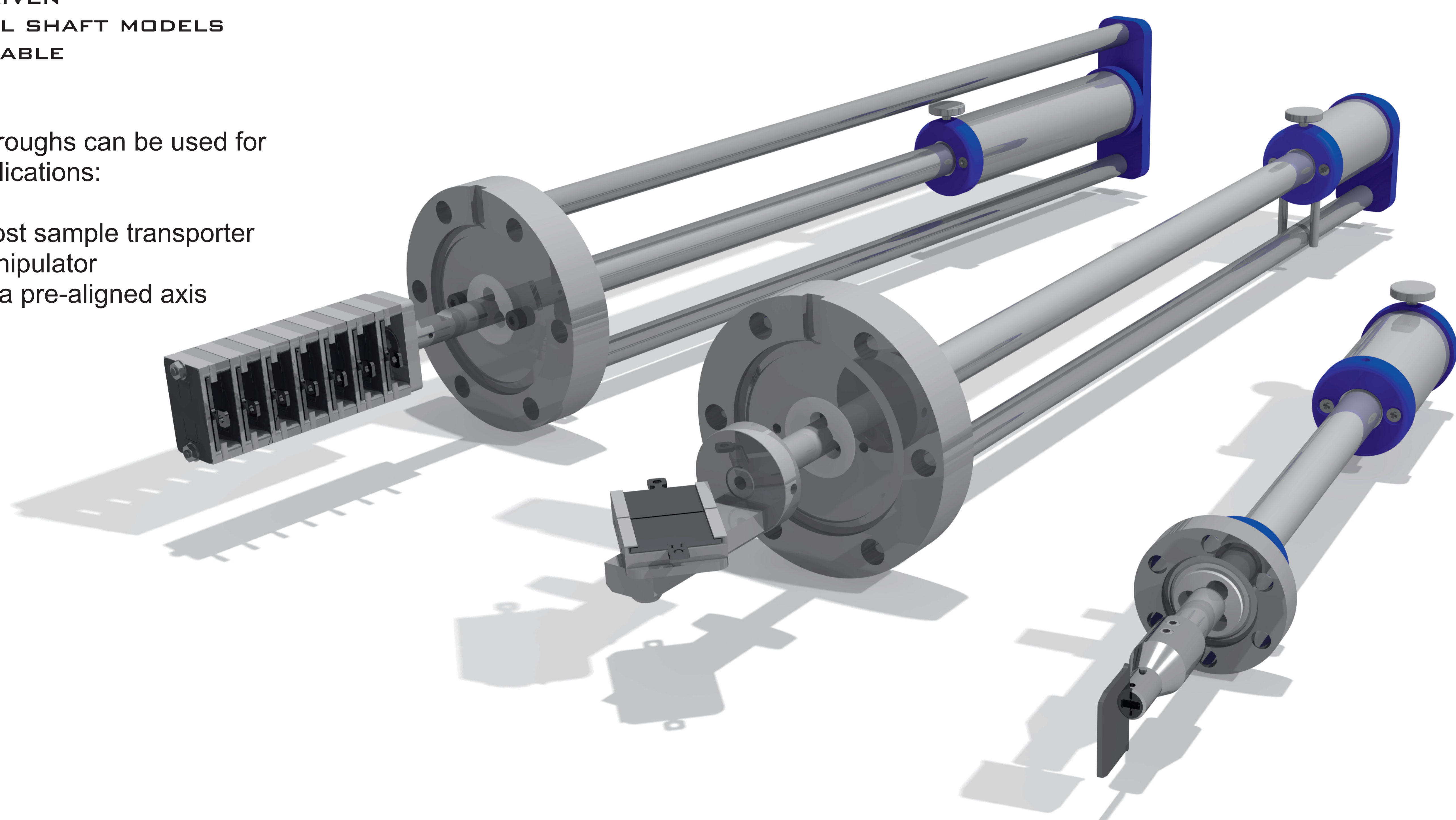
- Pincers and grabbers
- Sample receivers
- Hexagonal keys
- Customized end effectors

MD LINEAR/ROTARY FEEDTHROUGHS

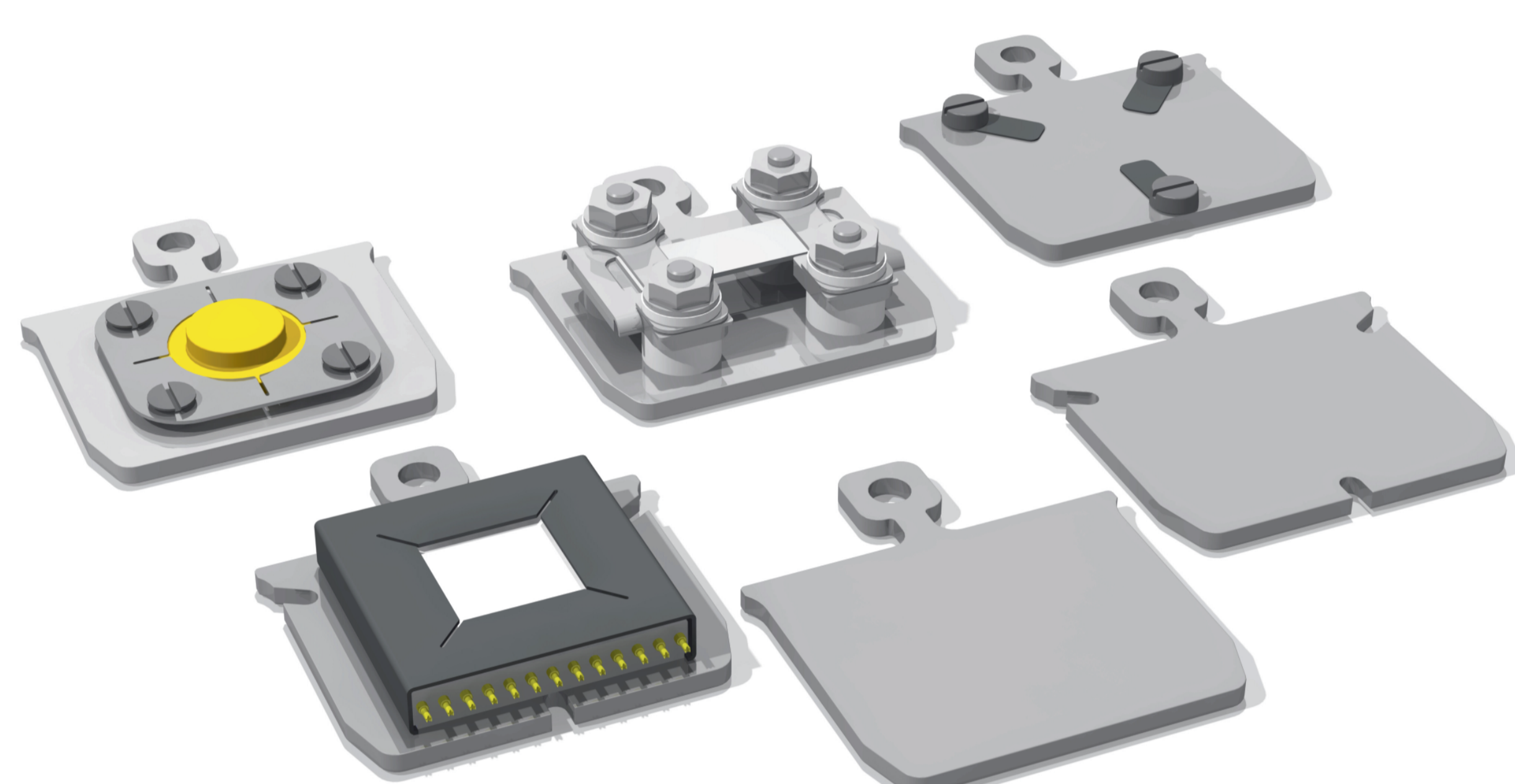
MAGNETICALLY DRIVEN
SINGLE- AND DUAL SHAFT MODELS
HIGHLY CUSTOMIZABLE

Linear/rotary feedthroughs can be used for a wide range of applications:

- Compact and low cost sample transporter
- Sample storage manipulator
- Sample grabber on a pre-aligned axis



SHOM FLAG STYLE SAMPLE PLATES



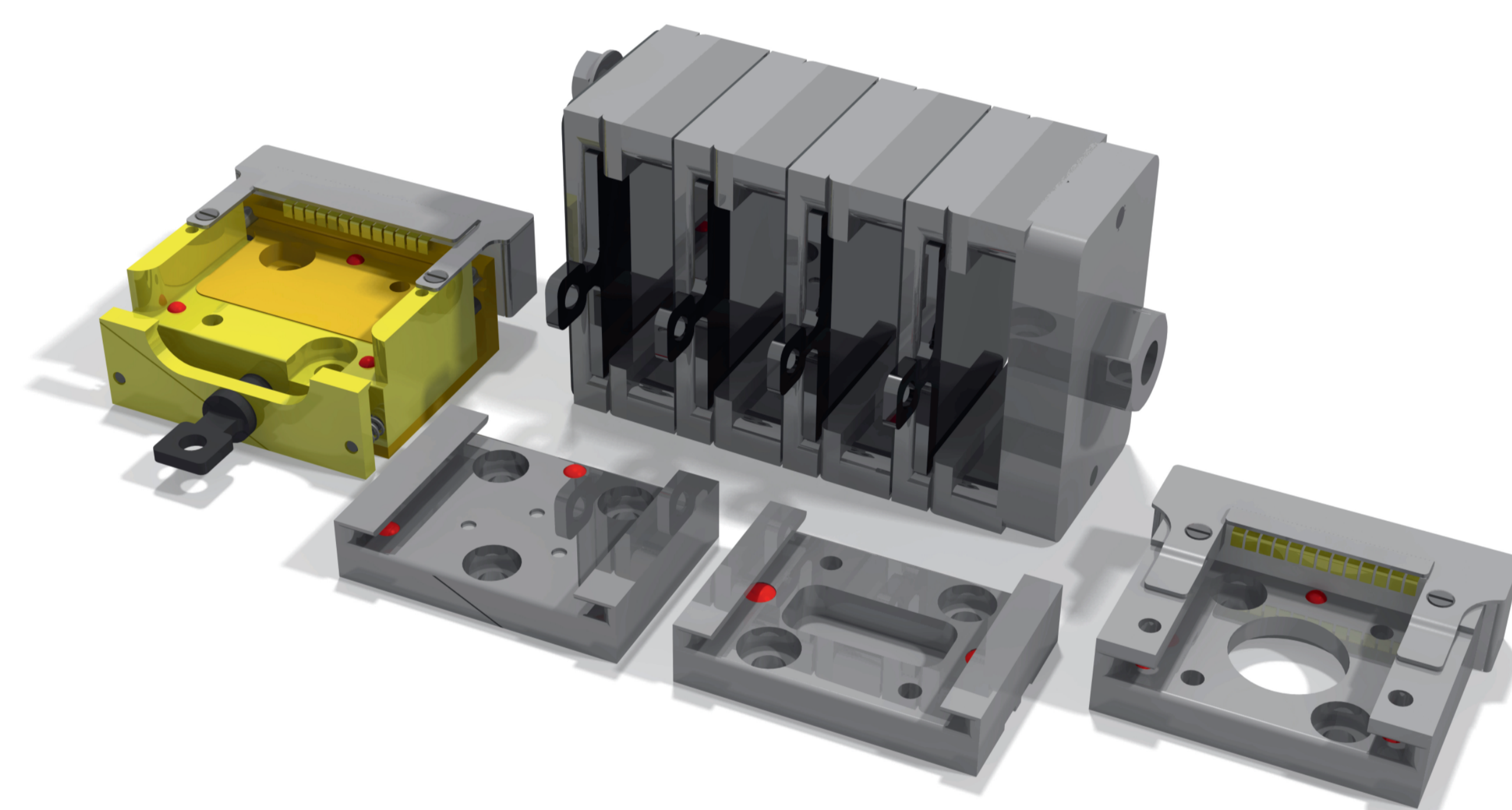
A large selection of flag style sample plates made from all kinds of materials such as Mo, Ta, CuBe2, Al2O3, Shapal, AISI304, AISI316L and Haynes214 are available.

SHOM models include direct current heaters, cryogenic versions, single crystal holders and plates with multiple electrical contacts.

RECOM SAMPLE RECEIVERS

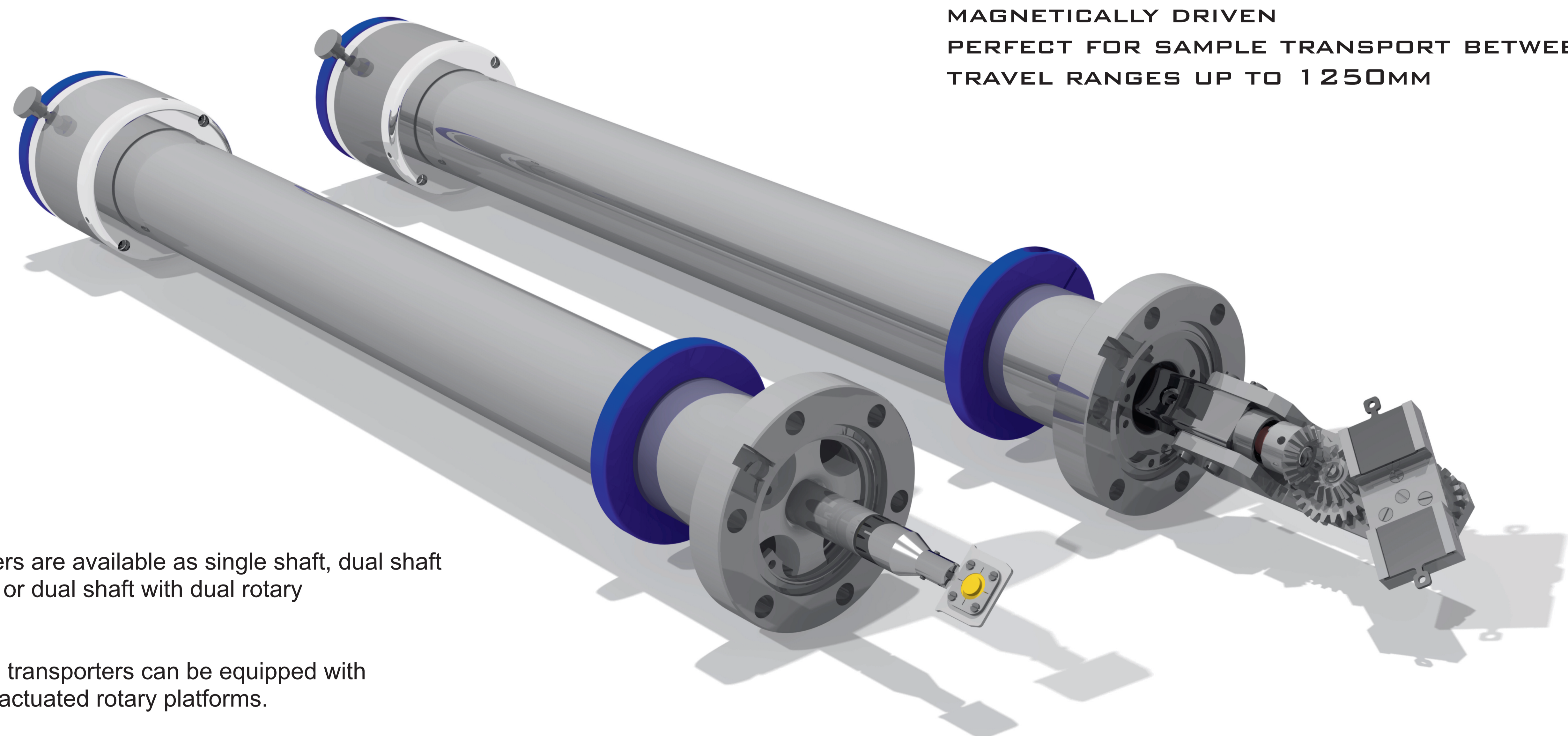
Individual sample drawers made from all kinds of materials including Mo, Ta, CuBe2, AISI304, AISI316L.

RECOM models include multiple slot receivers, prewired drawers with electrical contacts and drawers for cryogenic applications.



RM SAMPLE TRANSPORTERS

MAGNETICALLY DRIVEN
PERFECT FOR SAMPLE TRANSPORT BETWEEN CHAMBERS
TRAVEL RANGES UP TO 1250MM

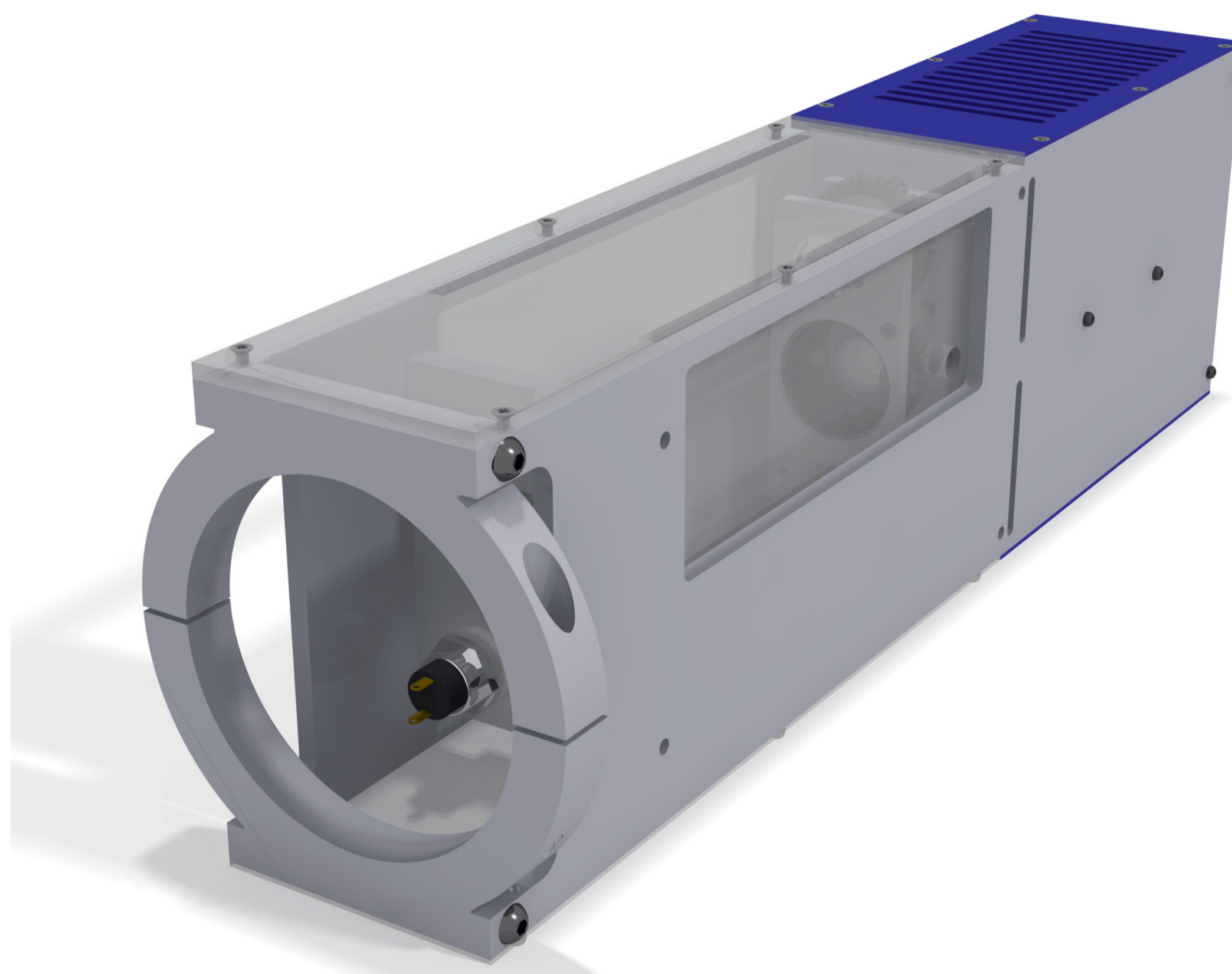
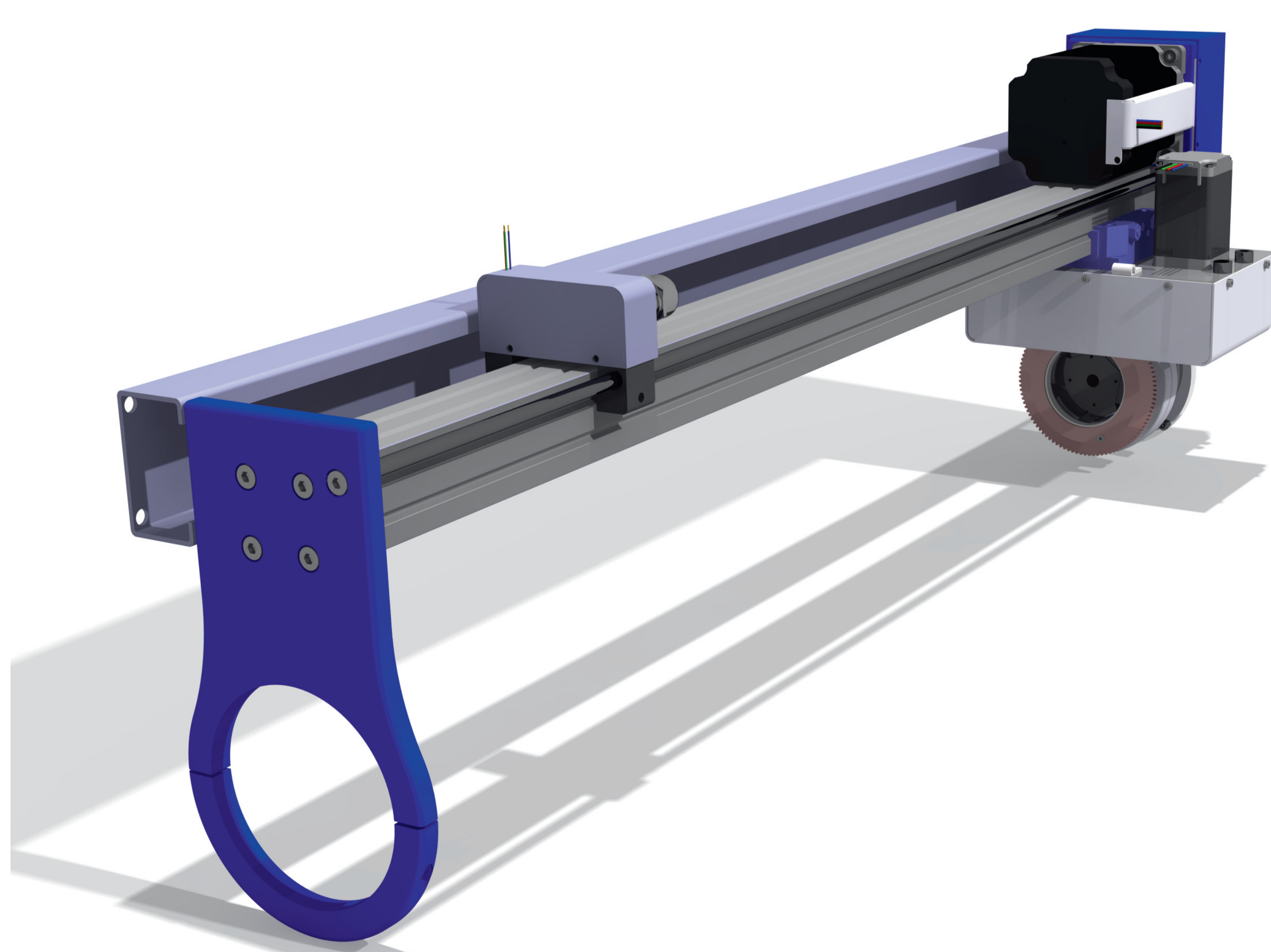


Sample transporters are available as single shaft, dual shaft with single rotary- or dual shaft with dual rotary configuration.

Dual shaft sample transporters can be equipped with pincers or airside actuated rotary platforms.

DRVMOT MOTORIZATION OPTIONS

SINGLE- DUAL- OR TRIPLE AXIS MOTORIZATION
COMPATIBLE WITH ALL RM AND MD MODELS
POSITION ADJUSTABLE END SWITCHES



All linear/rotary feedthroughs and sample transporters can be completely motorized and equipped with position encoders.

Both linear- and angular encoders can be equipped either together or individually.

