

VSN40 :: NEXGENERATION UHV SUITCASE

Available in a variety of configurations, the NexGeneration UHV Suitcase is a truly portable, ultra compact, lightweight and modularly adaptable system to keep and carry your samples under true ultra-high vacuum conditions. It is delivered under vacuum, fully baked and ready to use.

Availability of combined Non-Evaporable Getter (NEG) and Ion-pump technology in the same pump made it's slim design feasible. The type and travel range of the transfer arm, as well as the sample-grabbing mechanism and/or storage receptacles for multiple samples, can be configured modularly. The NexGeneration UHV Suitcase is fully compatible with our wide range of sample manipulators such as linear/rotary feedthroughs, wobblesticks and sample transporters.

VSN40S ::
Compact NexGeneration UHV Suitcase configuration example

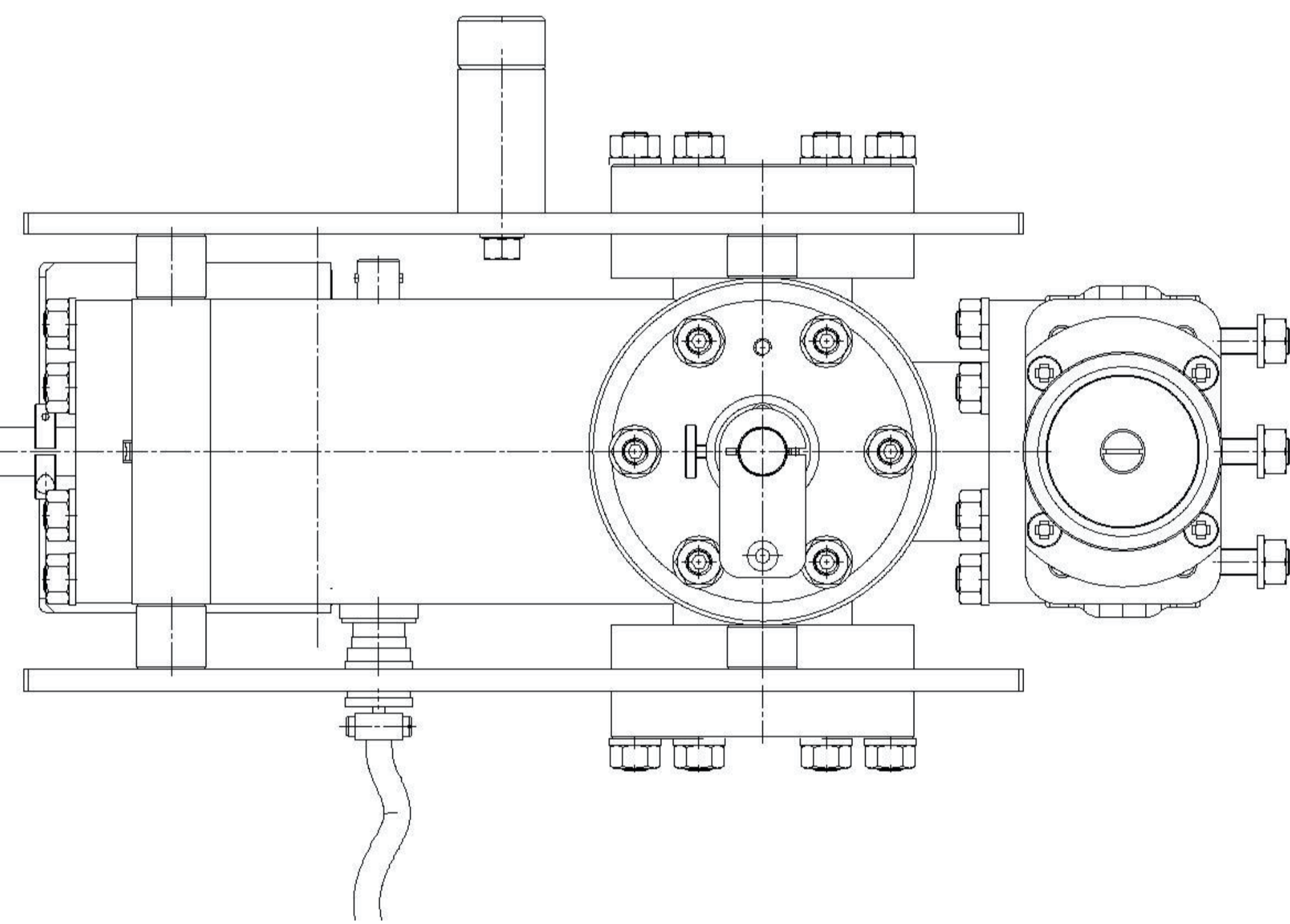
LN2-cooled VSN40S UHV Suitcase ::
Transport of sensitive cryo cooled samples without interrupting the cold chain

LSA2 :: Battery Powered Ion Pump Controller

VSN40M :: Mini NexGeneration UHV Suitcase

Our functional NexGeneration UHV Suitcase is a reliable system to carry your samples under ultra-high vacuum conditions.

Please do not hesitate to contact us directly: suitcase@ferrovac.com



CTD50 :: LN2 Dewar

TOPDN50CF ::
DN50CF Top Flange for Dewar

TMPT100CF16 ::
Temperature Measurement Kit

CTD50SHIELDS ::
Thermal Shields incl. Thermal Coupling

Cold Glass Windows

Example of an LN2-cooled VSN40S UHV Suitcase

GRABSHTD ::
Cryo Version of Grabber Tool for Sample Holder Transfer Device

NexGeneration UHV-Suitcase References:

- Max-Planck-Institute for Solid State Research, Stuttgart
 - Institute of Applied Physics, University of Hamburg
 - Institute of Semiconductor and Solid State Physics, Johannes Kepler University Linz
 - Synchrotron SOLEIL, Gif-sur-Yvette
 - MAX-lab, Lund University
 - NIMS, Tsukuba
- More UHV-Suitcases are successfully operational at further sites.

ULTRA COMPACT
ULTRA LIGHT
ULTRA SLIM
ULTRA INDIVIDUAL
ULTRA MODULAR
ULTRA-LOW BASE PRESSURE
ULTRA FUNCTIONAL
ULTRA RELIABLE

SWISS UHV TECHNOLOGY SINCE 1996