

## VSN40 :: NEXGENERATION UHV SUITCASE

Available in a variety of configurations, the NexGeneration UHV Suitcase is a truly portable, ultra compact, lightweight and modularly adaptable system to keep and carry your samples under true ultra-high vacuum conditions. It is delivered under vacuum, fully baked and ready to use.

Availability of combined Non-Evaporable Getter (NEG) and Ion-pump technology in the same pump made it's slim design feasible. The type and travel range of the transfer arm, as well as the sample-grabbing mechanism and/or storage receptacles for multiple samples, can be configured modularly. The NexGeneration UHV Suitcase is fully compatible with our wide range of sample manipulators such as linear/rotary feedthroughs, wobblesticks and sample transporters.

**VSN40S ::**  
**Compact NexGeneration UHV Suitcase configuration example**

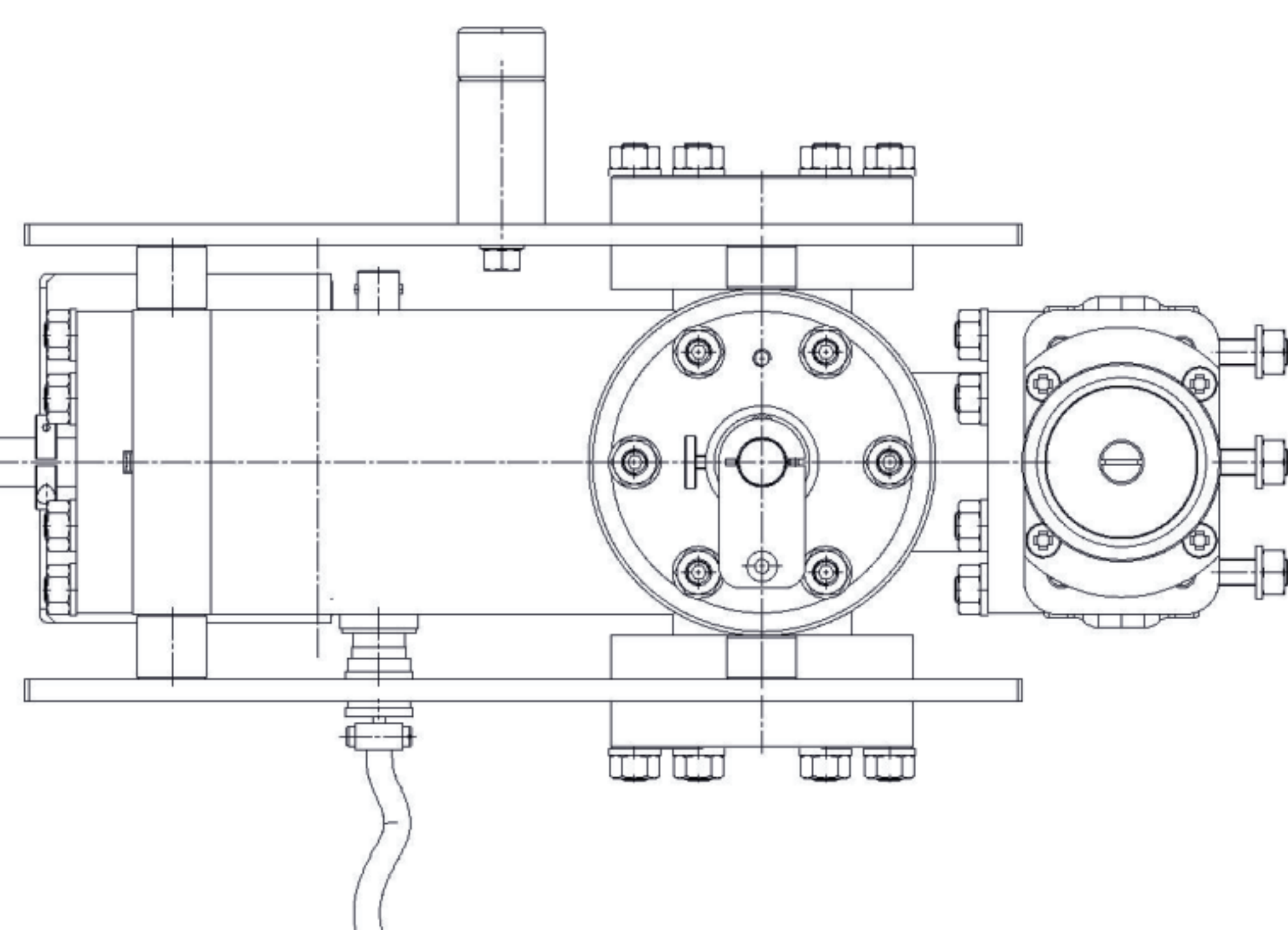
**LN2-cooled VSN40S UHV Suitcase ::**  
**Transport of sensitive cryo cooled samples without interrupting the cold chain**

**LSA2 :: Battery Powered Ion Pump Controller**

**VSN40M :: Mini NexGeneration UHV Suitcase**

Our functional NexGeneration UHV Suitcase is a reliable system to carry your samples under ultra-high vacuum conditions.

Please do not hesitate to contact us directly: [suitcase@ferrovac.com](mailto:suitcase@ferrovac.com)



**CTD50 :: LN2 Dewar**

**TOPDN50CF ::**  
**DN50CF Top Flange for Dewar**

**TMPT100CF16 ::**  
**Temperature Measurement Kit**

**CTD50SHIELDS ::**  
**Thermal Shields incl. Thermal Coupling**

**Cold Glass Windows**

**Example of an LN2-cooled VSN40S UHV Suitcase**

**GRABSHTD ::**  
**Cryo Version of Grabber Tool for Sample Holder Transfer Device**

**NexGeneration UHV-Suitcase References:**

- Max-Planck-Institute for Solid State Research, Stuttgart
  - Institute of Applied Physics, University of Hamburg
  - Institute of Semiconductor and Solid State Physics, Johannes Kepler University Linz
  - Synchrotron SOLEIL, Gif-sur-Yvette
  - MAX-lab, Lund University
  - NIMS, Tsukuba
- More UHV-Suitcases are successfully operational at further sites.

- ULTRA COMPACT
- ULTRA LIGHT
- ULTRA SLIM
- ULTRA INDIVIDUAL
- ULTRA MODULAR
- ULTRA-LOW BASE PRESSURE
- ULTRA FUNCTIONAL
- ULTRA RELIABLE

SWISS UHV TECHNOLOGY SINCE 1996