

# UHV SUITCASE

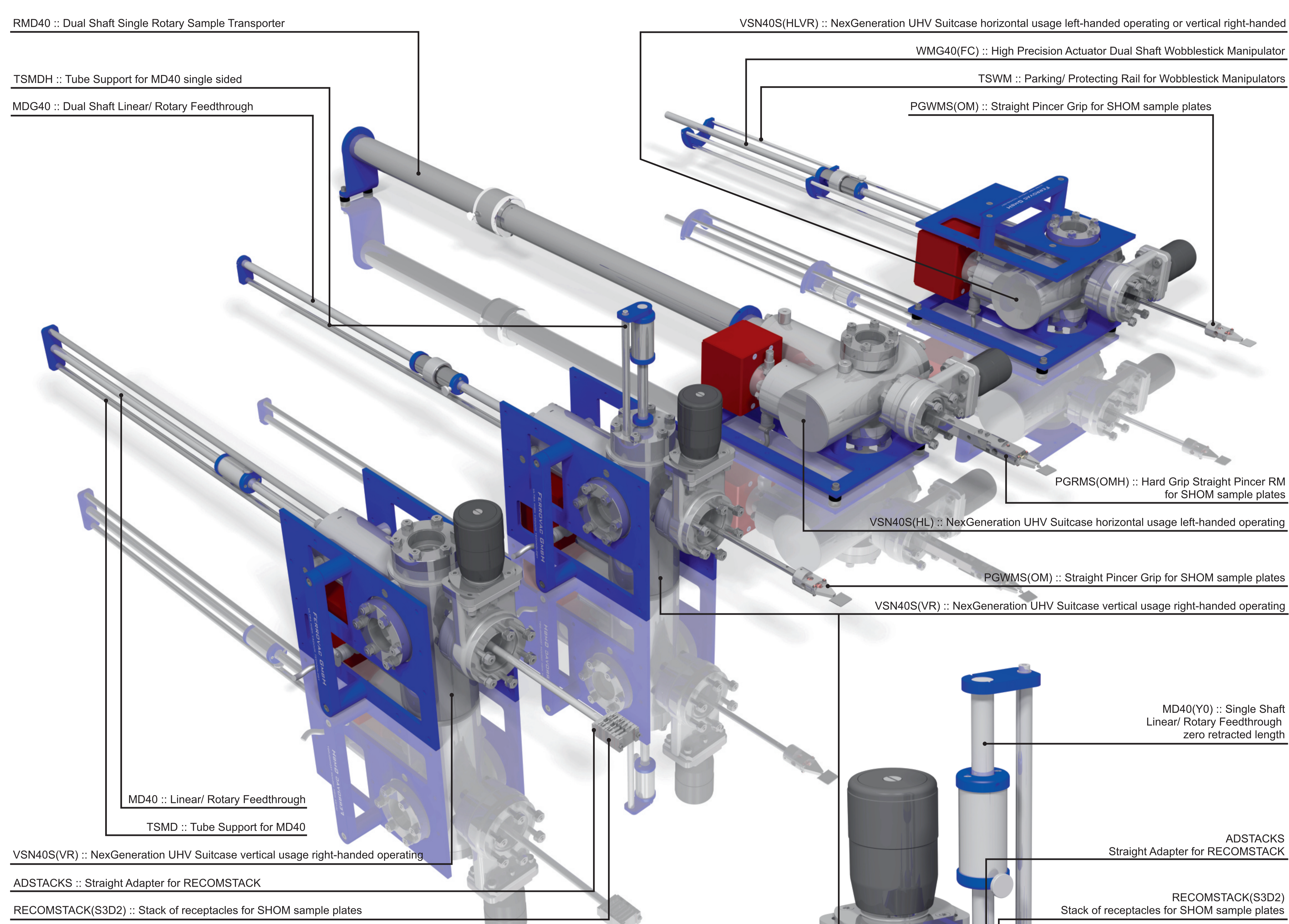
## NEXGENERATION

**FERROVAC GMBH**  
 ULTRA HIGH VACUUM TECHNOLOGY

THURGAUERSTRASSE 72  
 CH-8050 ZÜRICH  
 SALES@FERROVAC.COM  
 WWW.FERROVAC.COM  
 PHONE +41 44 273 16 38

The use of the combined Non-Evaporable Getter (NEG)/Ion-pump technology made it possible to design a truly portable and at the same time fully featured, ultra compact, light and slim UHV system.

The NexGeneration UHV Suitcase can be individually ordered as an option for different versions of vertical or horizontal usage. The type and travel range of the transfer arm, as well as the sample-grabbing mechanism, can be configured modularly. The NexGeneration UHV Suitcase is fully compatible with our wide range of sample manipulators such as linear/rotary feedthroughs, wobblesticks and sample transporters.



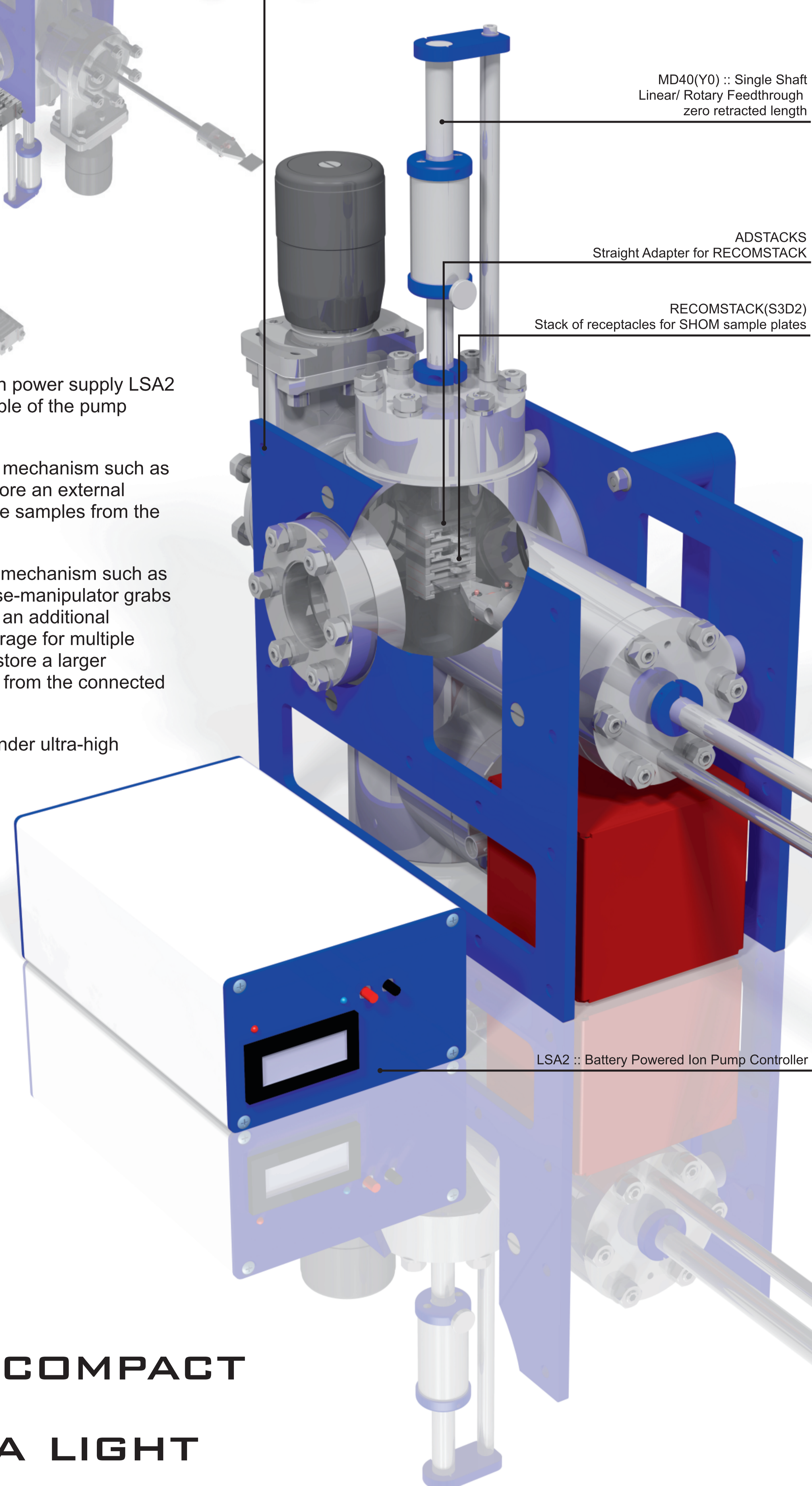
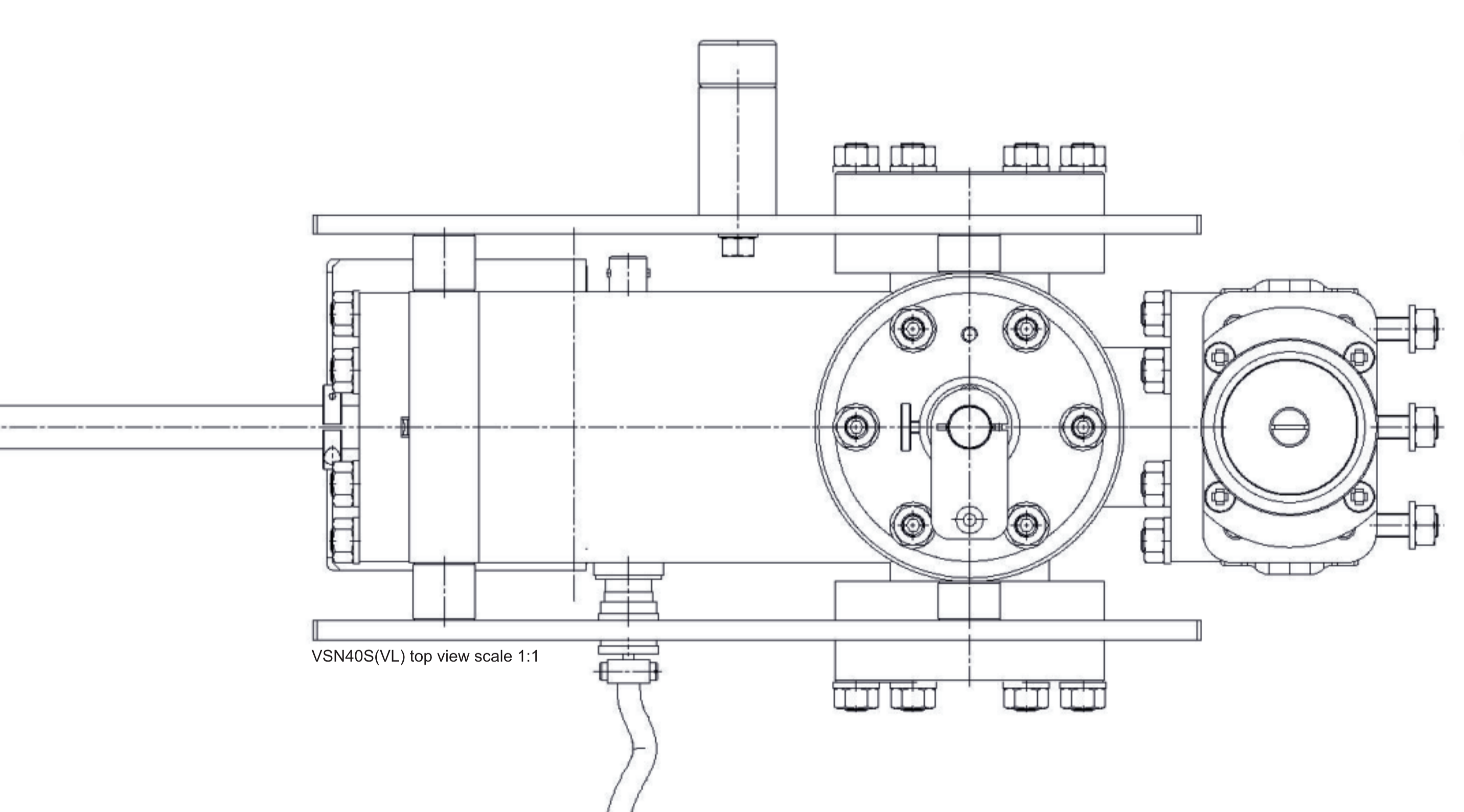
The high voltage for the ion-pump element is delivered by our rechargeable battery-driven power supply LSA2 with displayed pump current. The corresponding pressure can be monitored on the I/P table of the pump manufacturer.

On the one hand the suitcase can be used in combination with a storage sample transfer mechanism such as a stack of receptacles, a carousel or similar mounted on the suitcase-manipulator. Therefore an external manipulator of the UHV system, to which the suitcase is connected, must actively grab the samples from the extracted suitcase-manipulator's sample storage.

On the other hand the suitcase can be used in combination with a single sample transfer mechanism such as a pincer grip, a fork or similar mounted on the suitcase-manipulator. Therefore the suitcase-manipulator grabs the samples directly from the connected UHV system. An optional key feature is to install an additional linear/rotary feedthrough featuring a stack of sample receptacles serving as a sample storage for multiple samples. This allows the user not only to transport just one sample at a time, but also to store a larger number of samples under true UHV conditions and to exchange several samples at once from the connected system in a step-by-step mode.

Our functional NexGeneration UHV Suitcase is a reliable system to carry your samples under ultra-high vacuum conditions.

Please do not hesitate to contact us directly: [suitcase@ferrovac.com](mailto:suitcase@ferrovac.com)



- NexGeneration UHV-Suitcase References:**
- Max-Planck-Institute for Solid State Research, Stuttgart
  - Institute of Applied Physics, University of Hamburg
  - Institute of Semiconductor Physics, Johannes Kepler University Linz
- More UHV-Suitcases are successfully operational at further sites.

- ULTRA COMPACT
- ULTRA LIGHT
- ULTRA SLIM
- ULTRA INDIVIDUAL
- ULTRA MODULAR
- ULTRA-LOW BASE PRESSURE
- ULTRA FUNCTIONAL
- ULTRA RELIABLE

**FERROVAC GMBH**  
 ULTRA HIGH VACUUM TECHNOLOGY

THURGAUERSTRASSE 72  
 CH-8050 ZÜRICH  
 SALES@FERROVAC.COM  
 WWW.FERROVAC.COM  
 PHONE +41 44 273 16 38