

FERROVAC GMBH

ULTRA HIGH VACUUM TECHNOLOGY

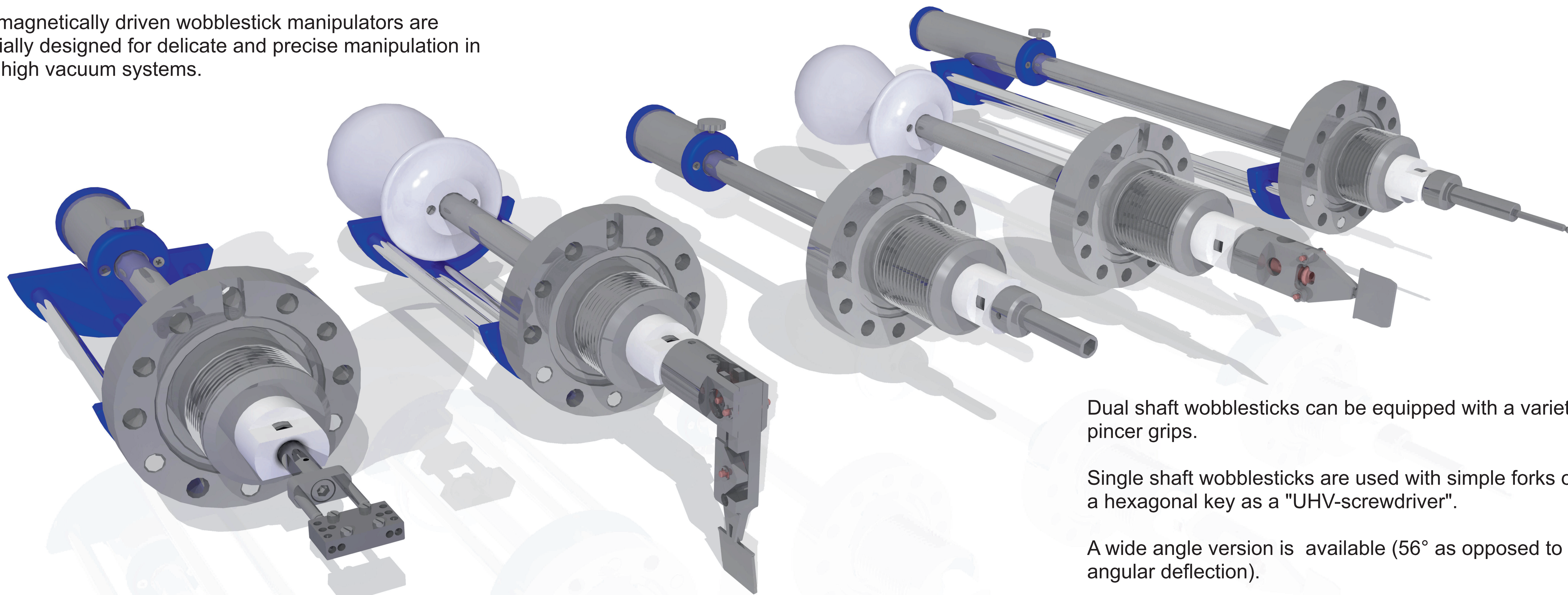
THURGAUERSTRASSE 72
CH-8050 ZÜRICH

SALES@FERROVAC.COM
WWW.FERROVAC.COM

PHONE +41 44 273 16 38

WM :: WOBBLESTICK MANIPULATORS

The magnetically driven wobblestick manipulators are specially designed for delicate and precise manipulation in ultra high vacuum systems.



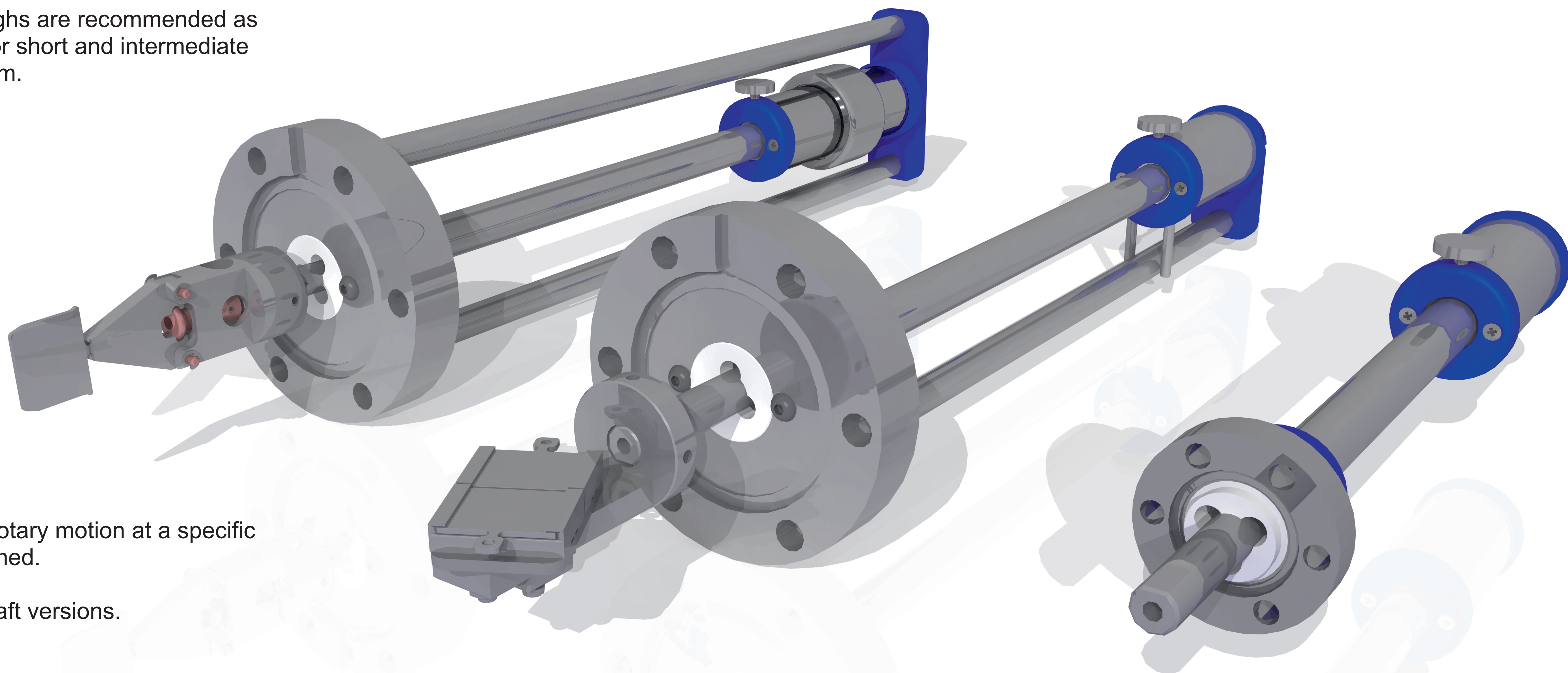
Dual shaft wobblesticks can be equipped with a variety of pincer grips.

Single shaft wobblesticks are used with simple forks or with a hexagonal key as a "UHV-screwdriver".

A wide angle version is available (56° as opposed to 40° angular deflection).

MD :: LINEAR/ROTARY FEEDTHROUGHS

Miniature linear rotary feedthroughs are recommended as compact sample transporters for short and intermediate linear travel ranges up to 400mm.

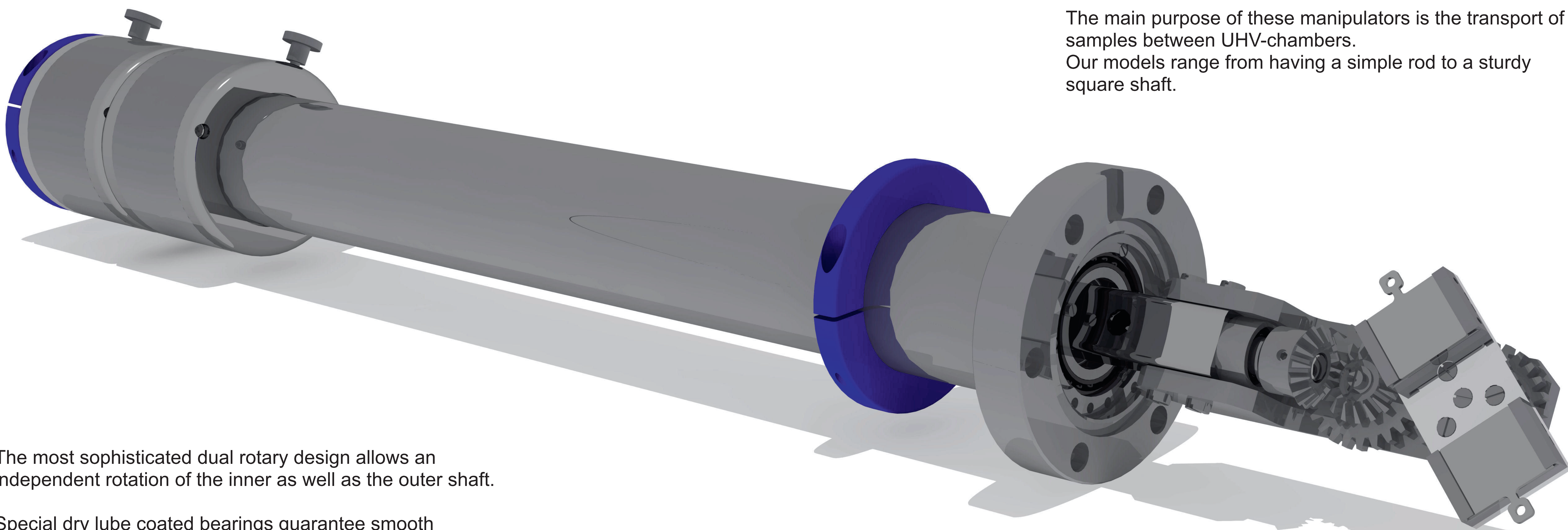


They can be used wherever a rotary motion at a specific linear position has to be performed.

Available as single and dual shaft versions.

RM :: SAMPLE TRANSPORTERS

The main purpose of these manipulators is the transport of samples between UHV-chambers. Our models range from having a simple rod to a sturdy square shaft.



The most sophisticated dual rotary design allows an independent rotation of the inner as well as the outer shaft.

Special dry lube coated bearings guarantee smooth operation and a long lifetime.