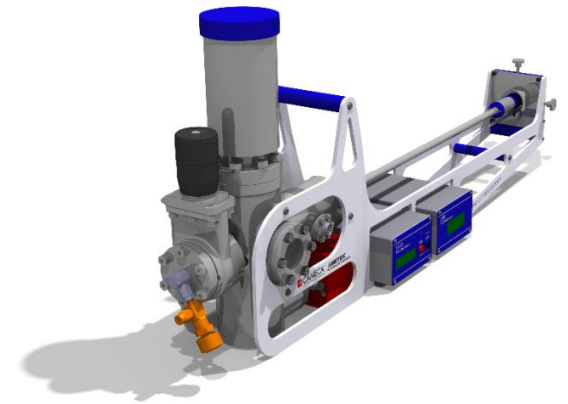
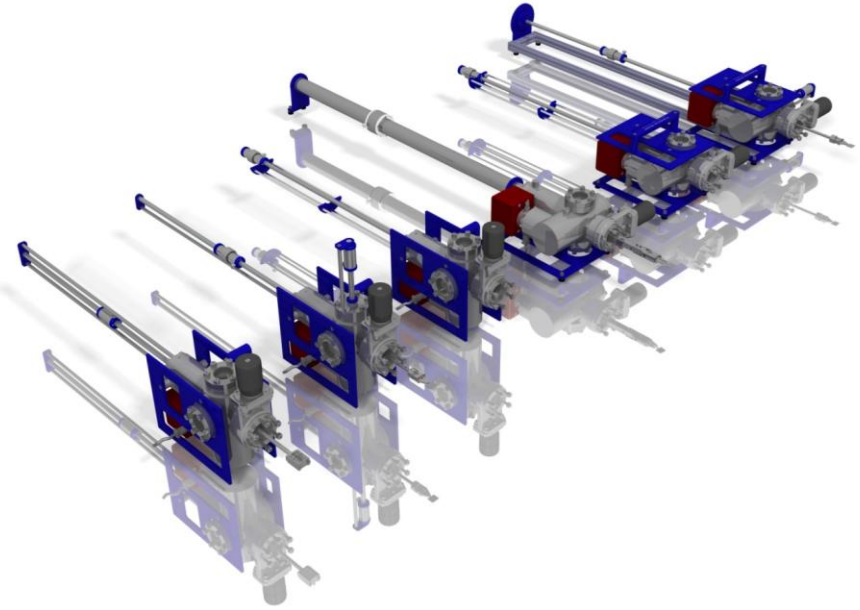
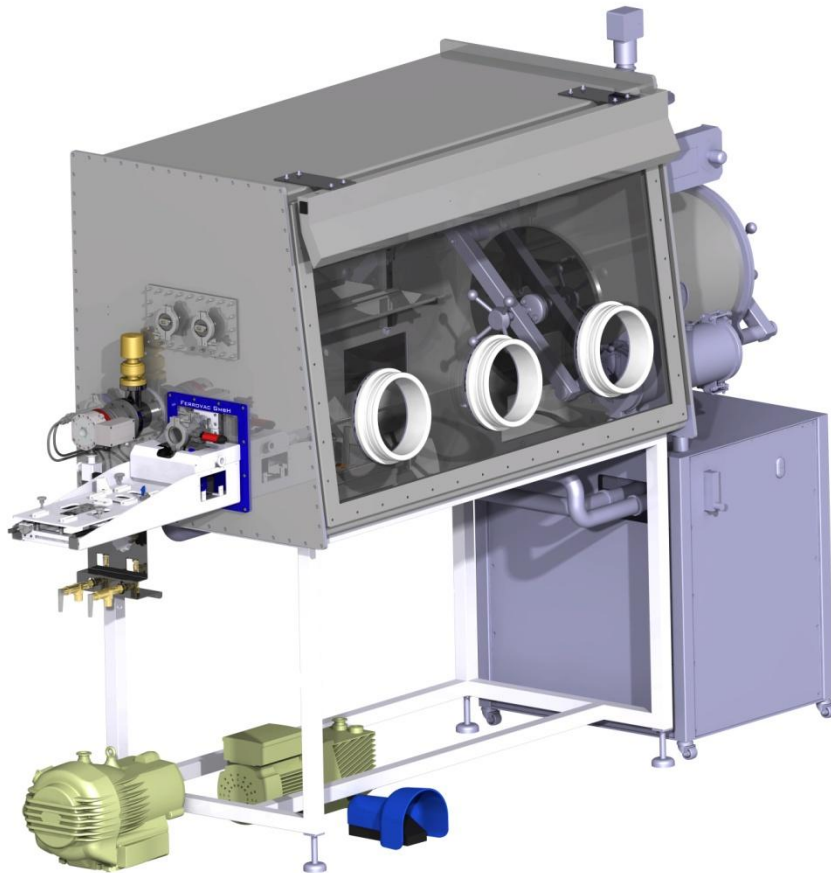
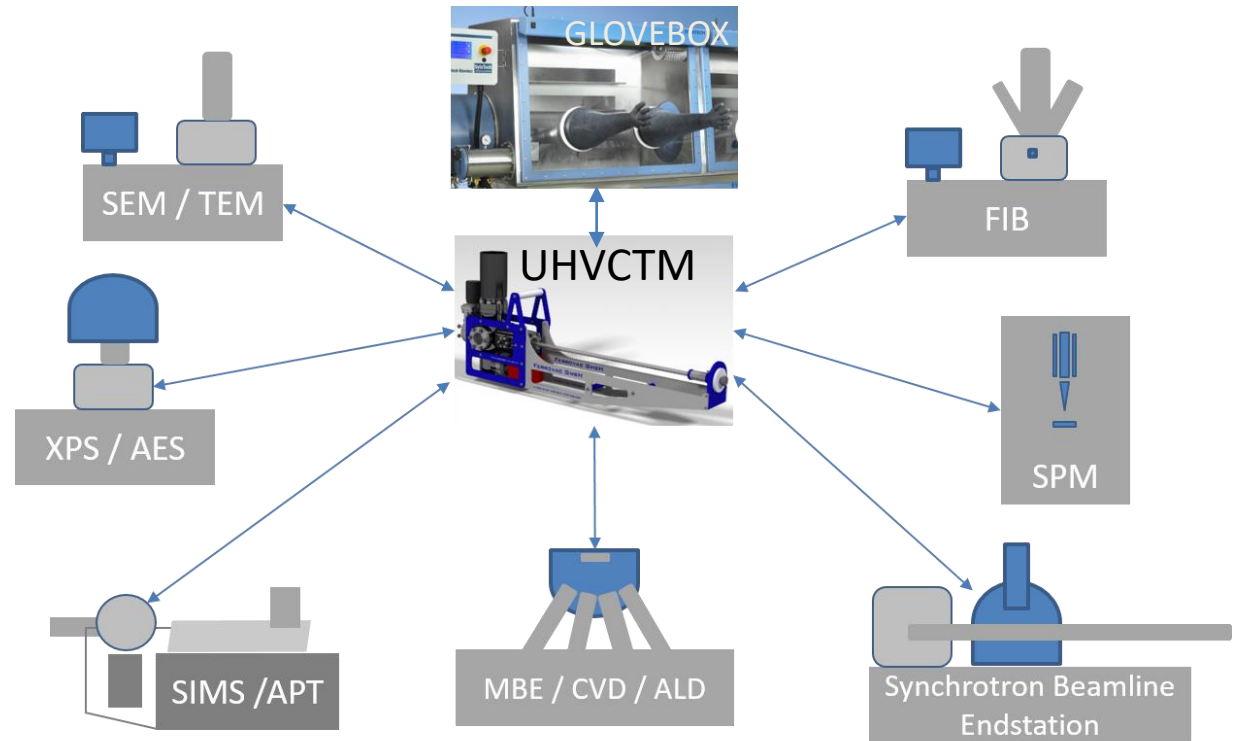


# THE INERT GAS GLOVE BOX: AN IMPORTANT HUB IN YOUR FULL UHV- AND CRYO SAMPLE TRANSFER NETWORK

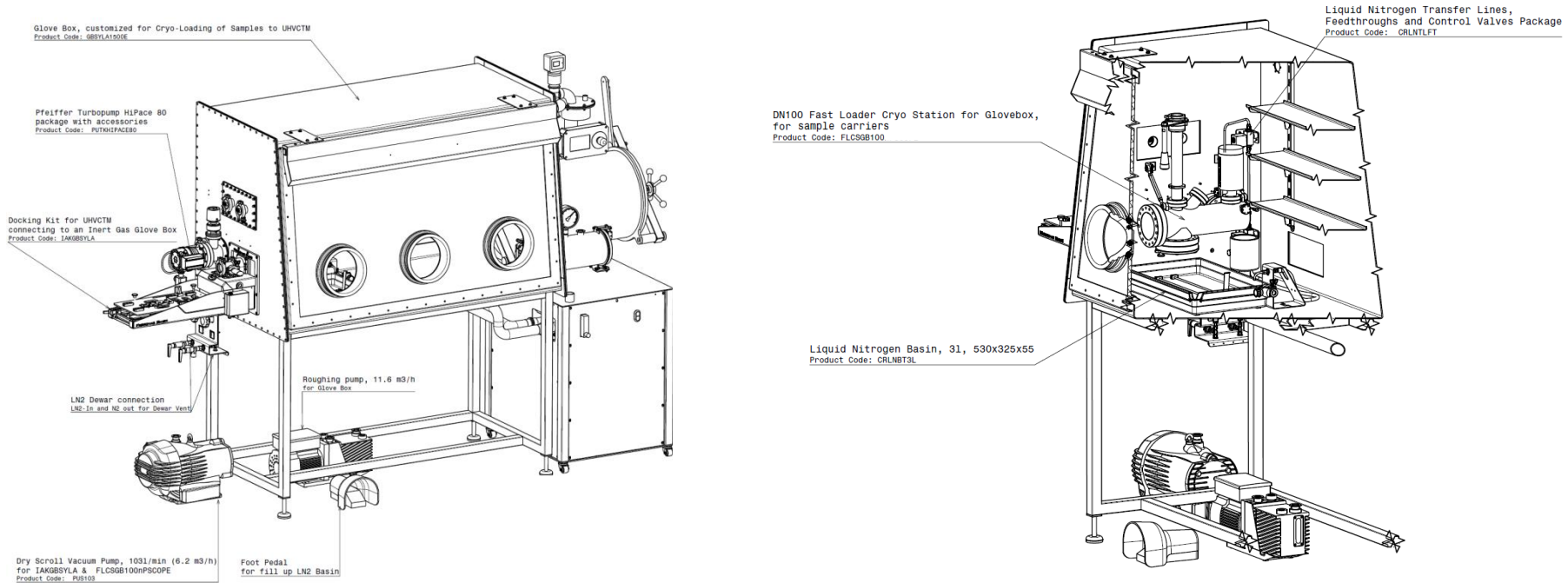


# FULL UHV AND CRYO SAMPLE TRANSFER NETWORK



The Ferrovac UHVCTM allows for transfer of specimens under ultra-high vacuum and cryogenic conditions between independent instruments. A glovebox for sample preparation can be of paramount importance when sample preparation under inert gas atmosphere and cryo conditions are needed.

# GLOVE BOX AND DOCKING SOLUTION



Many samples require preparation techniques in a vitrified inert gas atmosphere, and in special occasions, the sample must be prepared and kept under cryo conditions. Ferrovac provides a complete package solution including a state-of-the-art glove box that allows to prepare samples under LN2 conditions and inert gas atmosphere. A cold parking stage with thermal shields inside the loading chamber ensures controlled sample temperature during pump-down. When the UHVCTM is connected to the glove box, the sample can subsequently be loaded and transferred to any other UHV System. Ferrovac offers solutions for cryo and non-cryo conditions for many different sample types.



# CRYO LOADING FROM GLOVEBOX TO UHVCTM



# DOCKING AND CRYO LOADING SOLUTIONS FOR GLOVE BOXES

---

Further Information:

Visit our website or contact [sales@ferrovac.com](mailto:sales@ferrovac.com) for detailed quotes and individual configurations.

Zurich, December 7th 2020