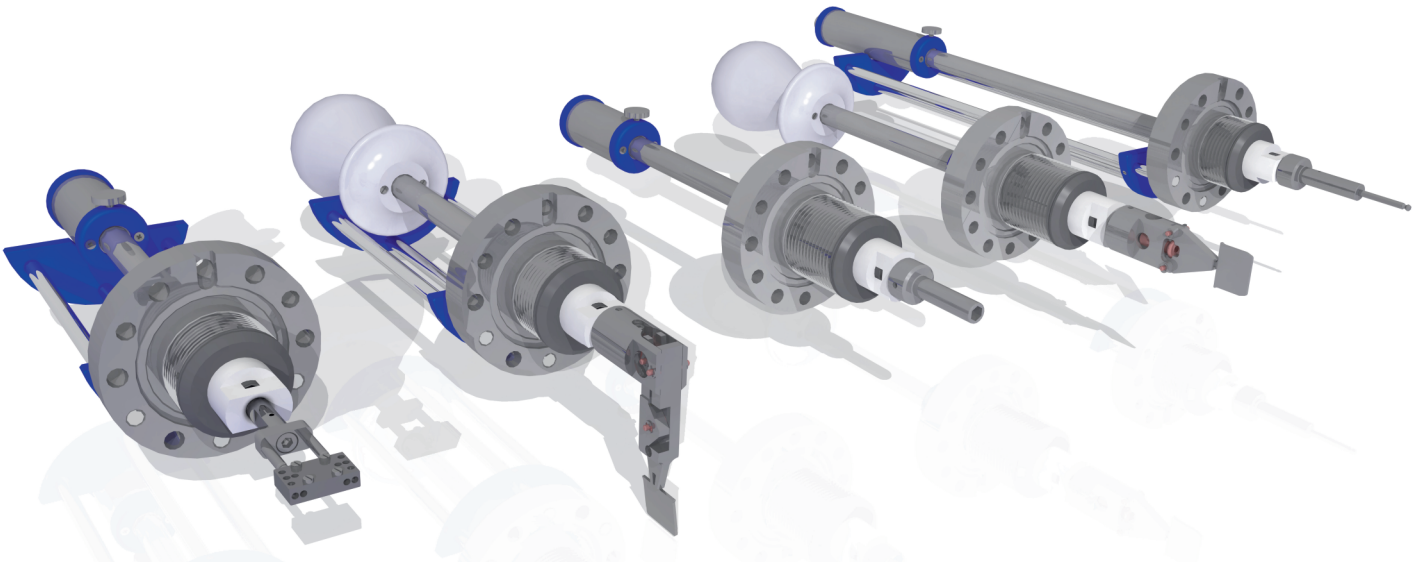


WOBBLESTICK MANIPULATORS

Ferrovac wobblestick manipulators define the benchmark for delicate and precise manipulations in ultra high vacuum systems.

Due to the principle of magnetic force coupling, the motion of the shaft is not affected by the difference between atmospheric pressure and ultra high vacuum. The operator can guide the shaft of the wobblestick nearly force-free in a smooth and controlled way.

Magnetically driven wobblestick manipulators always allow for continuous rotation of the shaft.

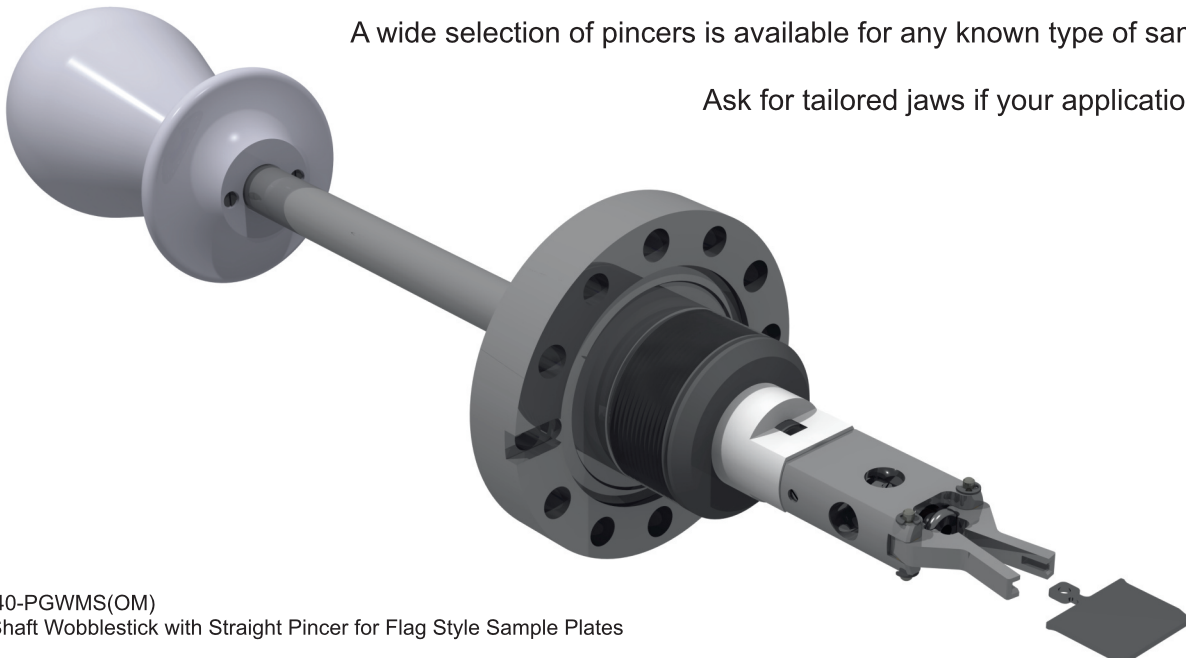


WMG40 Dual Shaft Wobblestick

If you would like to grip a sample holder with a pincer, a dual shaft wobblestick is needed. Slight pressing of the two halves of the knob against each other, will open the pincer.

A wide selection of pincers is available for any known type of sample holder.

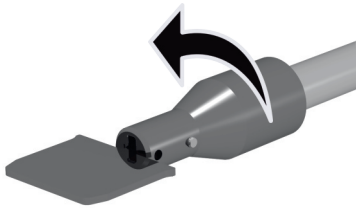
Ask for tailored jaws if your application is unique.



WMG40-PGWMS(OM)
Dual Shaft Wobblestick with Straight Pincer for Flag Style Sample Plates

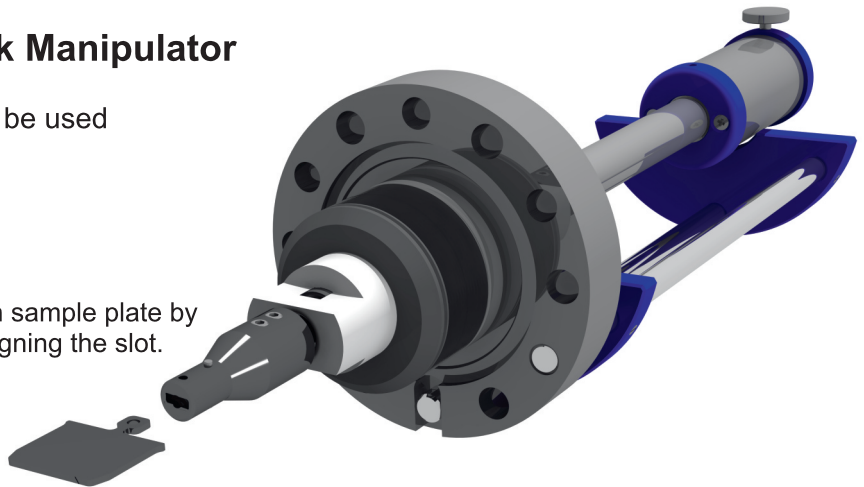
WM40 Single Shaft Wobblestick Manipulator

Single shaft wobblestick manipulators can be used with grabber tools or as a screwdriver.



Secure sample plate with a quarter turn.

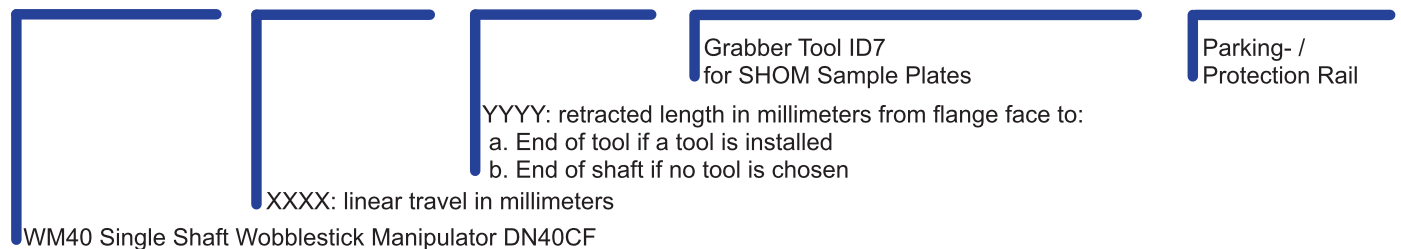
Fetch sample plate by aligning the slot.



Order Code

Single Shaft Wobblestick Manipulator with Grabber Tool for SHOM plates and removable Tube Support Rail:

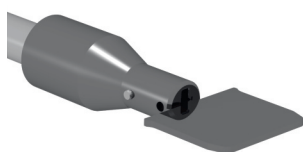
WM40-0100-0080-GRABSHOM7-TSWM



Accessories

There is a wide range of accessories and tools that can be used with our wobblesticks. The following are a few examples. Please contact us if you are looking for a custom solution.

Single Shaft

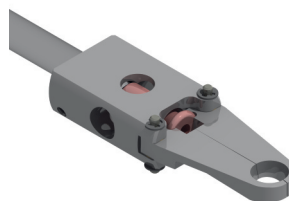


GRABSHOM
Grabber tools allow to fetch and secure a sample holder.

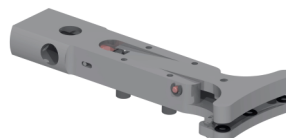


HEXKEY
Turns your wobblestick into a screwdriver.

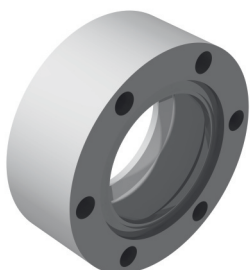
Dual Shaft



PGWMS
Straight pincers with application specific jaws for a wide range of sample holders.



PGHFMMWAF
High force pincer for wafers.



BP40
Adapter flange and bellow protection for single and dual shaft wobblesticks for mounting on tubulated flanges.

TSWM
Removable parking- and protective rail for dual and single shaft wobblesticks.

