

## EVEX40 ::

### EVAPORATION SOURCE WITH IN SITU EXCHANGEABLE CRUCIBLE

Our new EVEX40 watercooled evaporation source is an advanced technological concept, based on the well-established EV40FC evaporator for ultra clean thin film deposition.

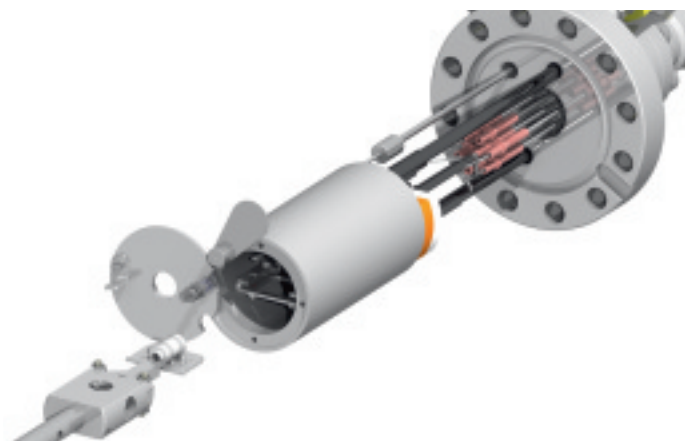
The great advantage this new design of the EVEX40 offers, is the very quick and easy in-situ exchange of the crucible as it is mounted on a special SHOMEVCRW flag style sample plate.

A swivable front lid offers easy access. A separate pincer-equipped wobblestick enables quick exchange of multiple crucibles (e.g. for various materials) that can all be used with the same evaporation source.



#### Specifications

- mounting flange DN40CF, required tube ID=36mm
- distance flange face to front end = 185mm
- water connections G1/8 with 6mm tube fittings
- max. bakeout temperature 200°C
- completely mounted including incl. 1x quick exchange W-crucible on SHOM plate (SHOMEVCRW)
- incl. rotary and electrical feedthrough
- serco brass fittings for 6mm tube
- all vacuum side electrical connections with push-pull crimp contacts
- HV supply DC 0-1000V pos. 200mA (not included)
- low voltage supply DC 0-24V 0-5A (not included)



# FERROVAC GMBH

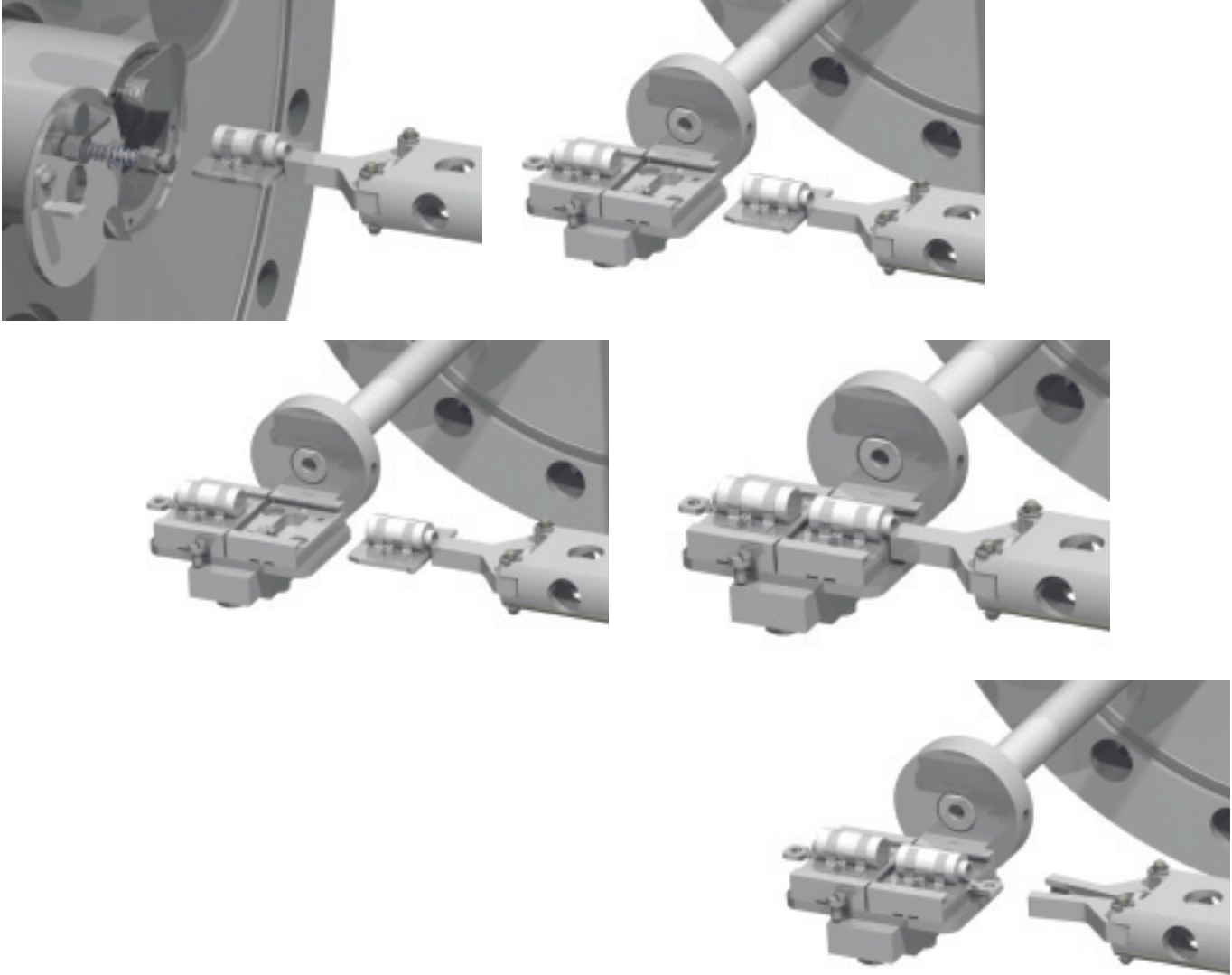
ULTRA HIGH VACUUM TECHNOLOGY

THURGAUERSTRASSE 72  
CH-8050 ZÜRICH

SALES@FERROVAC.COM  
WWW.FERROVAC.COM

PHONE +41 44 273 16 38

Keep multiple crucibles for different materials inside your system and easily exchange them using a wobblestick with pincer grip, as illustrated below:



Temperature vs. I<sub>Emission</sub>

