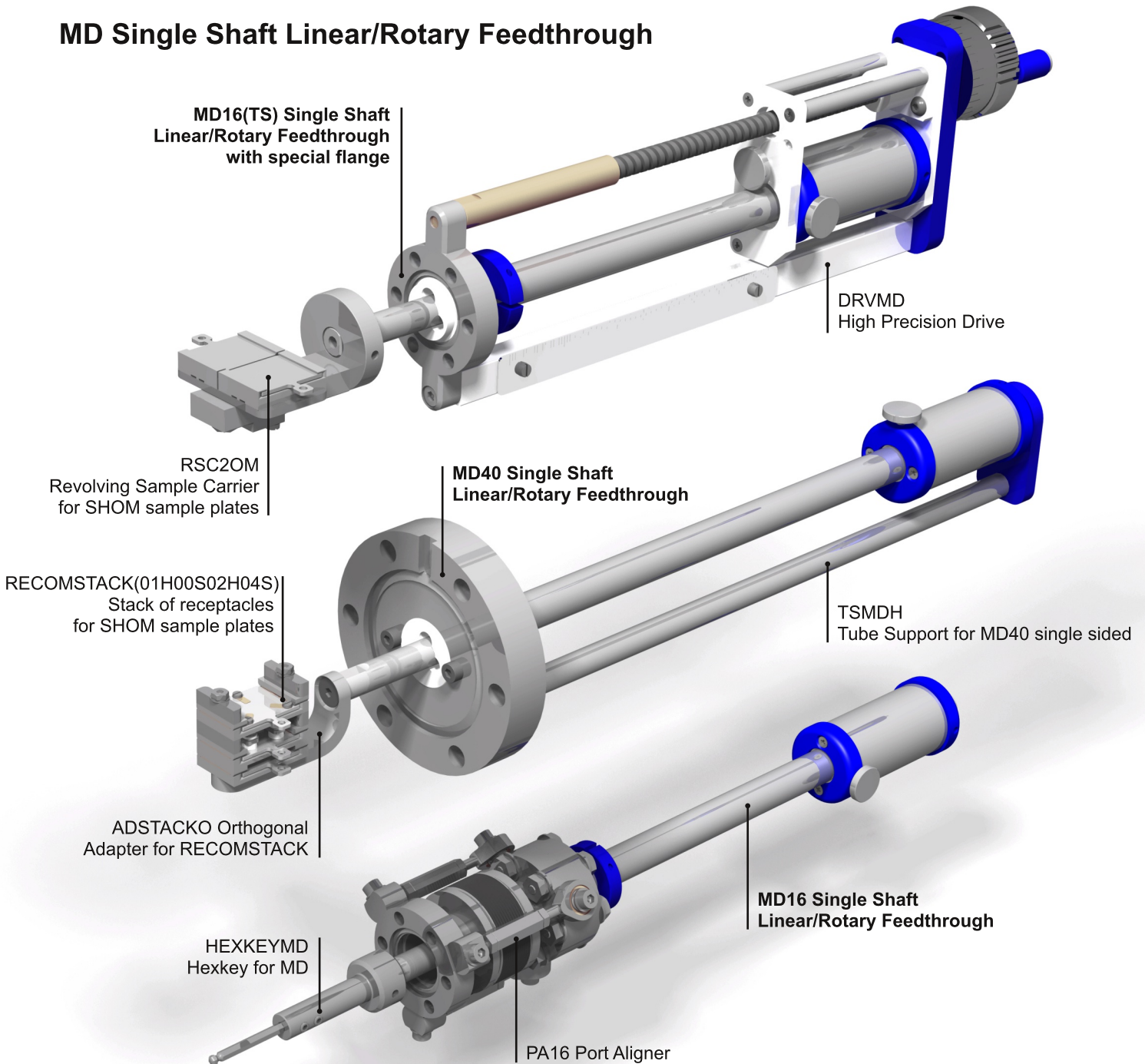


MD :: LINEAR/ROTARY FEEDTHROUGHS

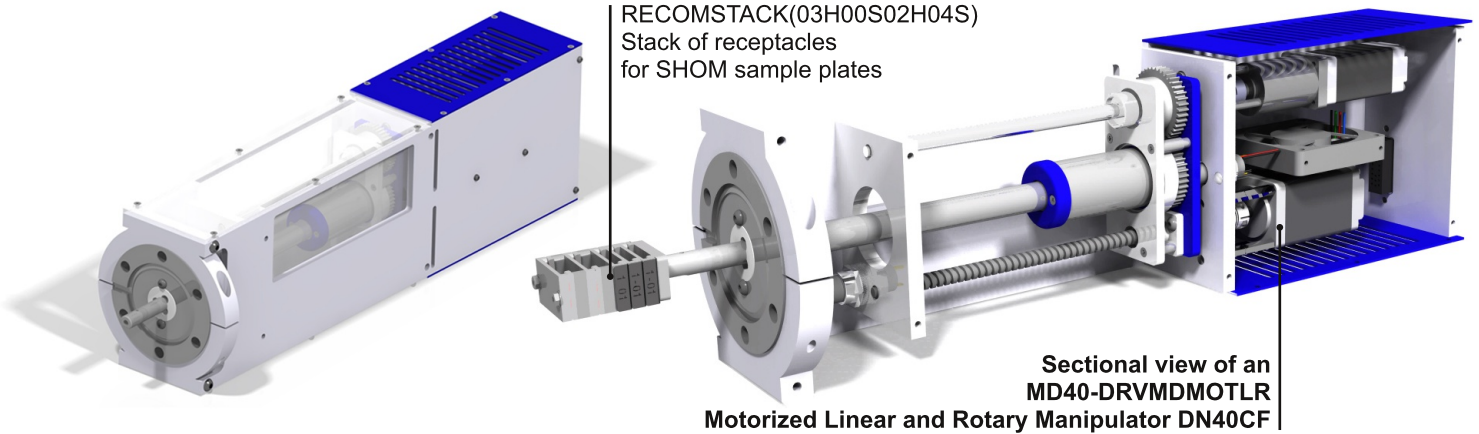
This type of magnetically driven manipulator can be used as a small transfer arm for short and intermediate distances. For example: It is perfectly suitable for sample transfer from a load lock into the main chamber.

MD Single Shaft Linear/Rotary Feedthrough



Single shaft linear/rotary feedthroughs can serve for carrying a movable sample storage platform or a stack of receptacles. If used with a port aligner and one of our key adapters, they may also be used to tighten a screw or engage a sample locking mechanism at a specific position.

A 1Nm high torque (HT) version with a linear force of 60N can be provided on request (standard 0.5Nm & torque 30N linear force).



RECOMSTACK(03H00S02H04S)
Stack of receptacles
for SHOM sample plates

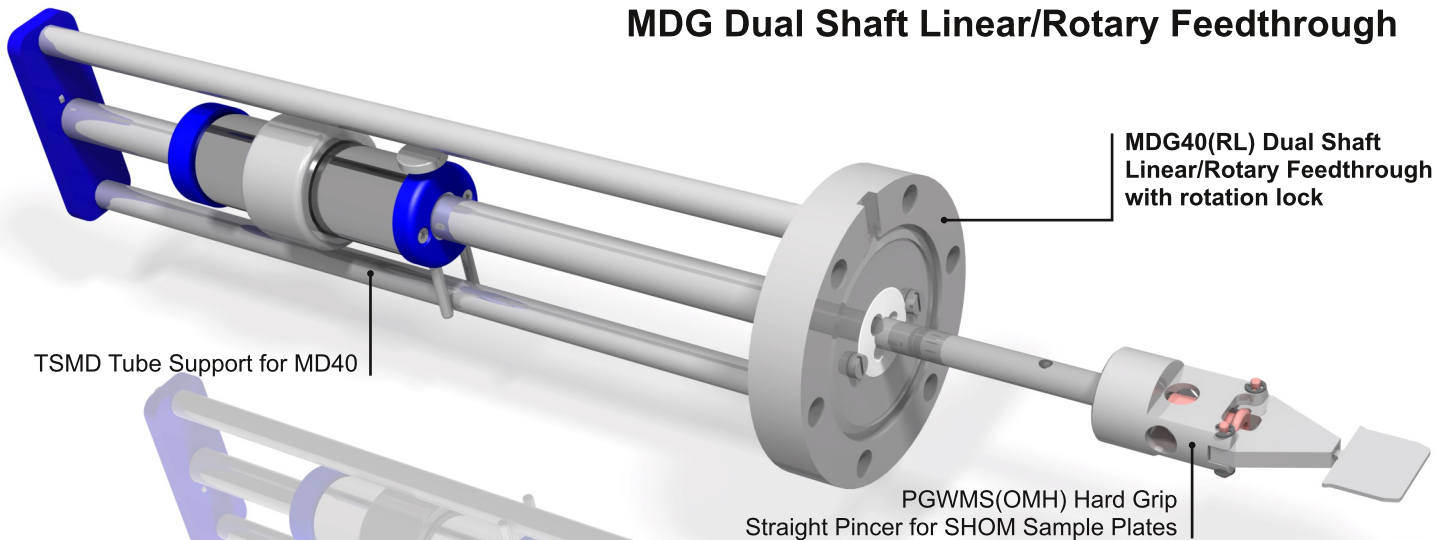
Sectional view of an
MD40-DRVMDMOTLR
Motorized Linear and Rotary Manipulator DN40CF

DRVMDMOTL Motorized Linear Drive for MD Feedthroughs

Motorization of manipulators provides reliable, safe and precise movement, positioning and handling. Implemented in our motorized linear/rotary drives are the necessary prerequisites: a fine step resolution and a sturdy construction. With a 2mm pitched spindle, a readout of 0.05mm is possible. Alternatively, a 1mm pitched spindle provides even higher resolution.

The 2-phase stepper motor-driven precision drive unit allows for easy, independent manipulation of the linear and rotary axis.

MDG Dual Shaft Linear/Rotary Feedthrough



TSM Tube Support for MD40

MDG40(RL) Dual Shaft
Linear/Rotary Feedthrough
with rotation lock

PGWMS(OMH) Hard Grip
Straight Pincer for SHOM Sample Plates

Dual shaft linear/rotary feedthroughs can be equipped with one of our pincer grips. The fine adjustable magnetic coupling allows a precise control of their opening and closing by turning a knurled screw.

A variety of pincers are available for almost any type of sampleholder.

A lot of accessories are available for Single and Dual Shaft Linear/Rotary Feedthroughs. They can be combined as desired for customized application. Do not hesitate to contact us directly concerning your requirements.

Specifications MD Single and MDG Dual Shaft Linear/Rotary Feedthroughs

- linear travel: 100mm, 150mm, 200mm, 250mm, 300mm or customized
- bakeout temperature: 150deg C max.
- pressure range 1*10E-11mbar to 1000mbar
- fully UHV compatible materials