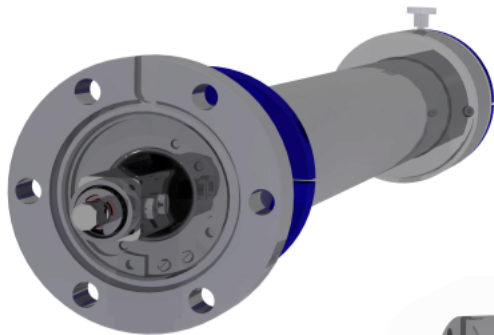


RMD AND RMDG :: DUAL SHAFT SAMPLE TRANSPORTERS

The RMD product line is an all metal sealed, linear-rotary feedthrough with independent rotation of the inner shaft. It's main purpose is to transport samples between UHV-chambers. A set of rare earth magnets on the air- and vacuum side provides the necessary force to ensure a rigid coupling from the handle to the shaft.



Specifications

- linear travel: 300mm, 500mm, 750mm, 1000mm or customized
- linear force/torque: 70N/5Nm
- bakeout temperature: 150deg C max.
- He leak rate: $<1 \cdot 10^{-10}$ mbar \cdot l/s
- pressure range $1 \cdot 10^{-11}$ mbar to 1000mbar
- fully UHV compatible materials (ball bearings dry lube coated)



RMD40-PGRMS(OM)
Dual Shaft Single Rotary Sample Transporter
with Pincer Grip for SHOM sample plates

The square shaft makes RMD feedthroughs especially sturdy.

RMD40 Dual Shaft Single Rotary Sample Transporter

The independent rotary motion of the inner shaft can be used to operate a sample locking mechanism or to rotate the sample carrier platform.

Modular design and customized linear travel

Example of an RMD40 Sample Transporter configuration:

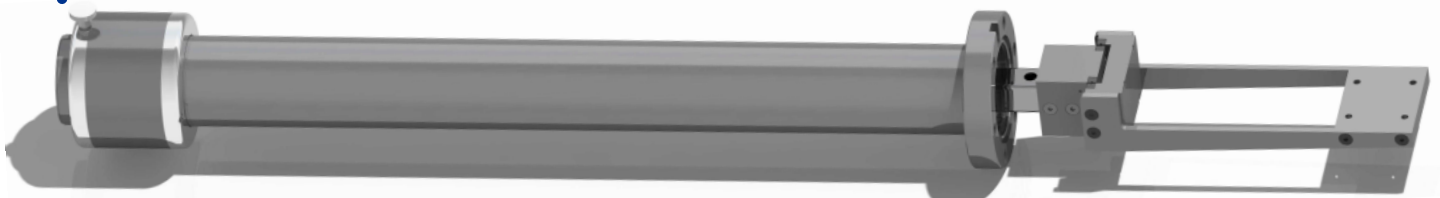
RMD40(FL)-1000-0120-FRKLIFT

Elevator for Waverhandling

YYYY: fully retracted distance in mm from flange face to:
a. End of pincer if a straight pincer is installed.
b. End of inner shaft if no pincer is chosen.

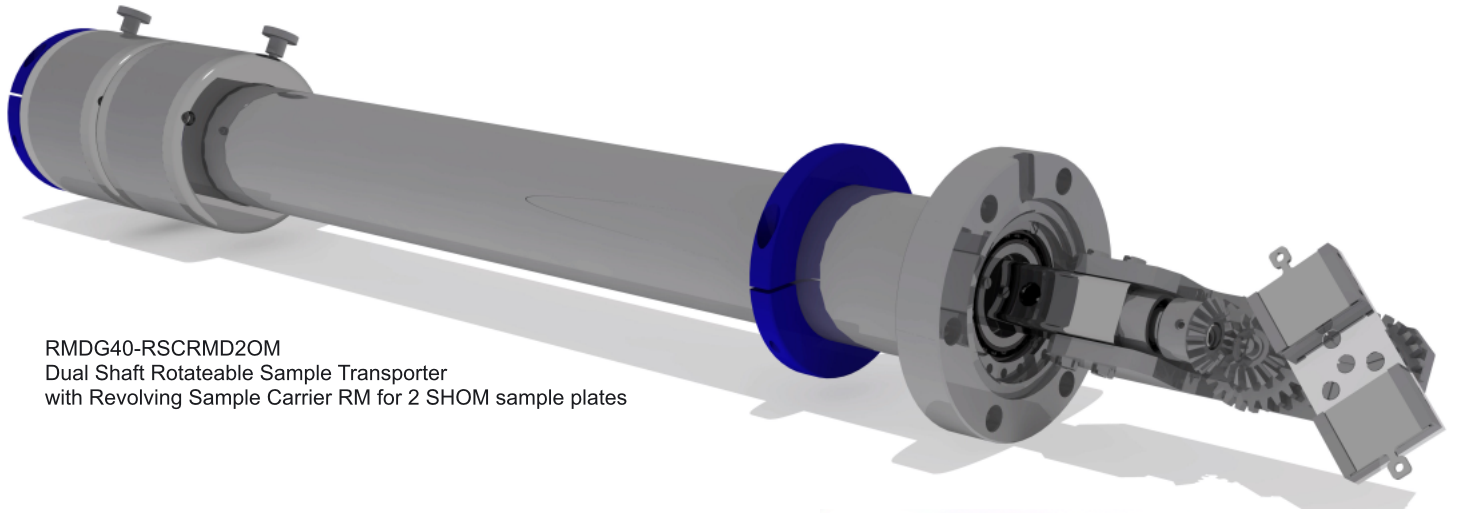
XXXX: linear travel in millimeters

RMD40 Dual Shaft Single Rotary Sample Transporter



RMDG40 Dual Shaft Rotateable Sample Transporter

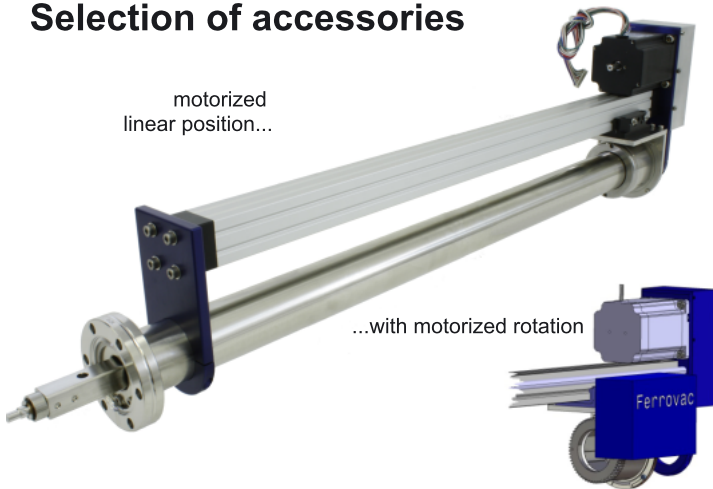
The independent rotary motion of the inner as well as the outer shaft enhances operation of sample locking mechanisms and sample carrier platforms by being able to drive and also rotate them.



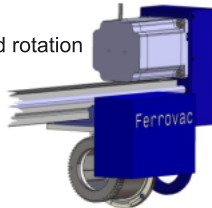
RMDG40-RSCRM20M
Dual Shaft Rotateable Sample Transporter
with Revolving Sample Carrier RM for 2 SHOM sample plates

Selection of accessories

motorized
linear position...

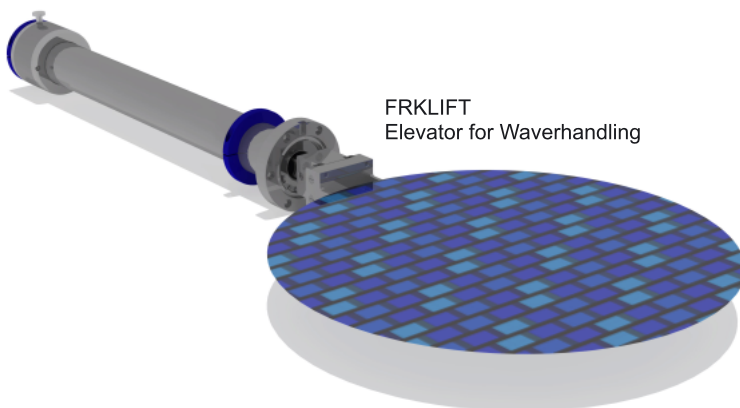


...with motorized rotation



linear position by handwheel

Please do not hesitate to
contact us for further information
"you name it, we build it!"



FRKLIFT
Elevator for Waverhandling

