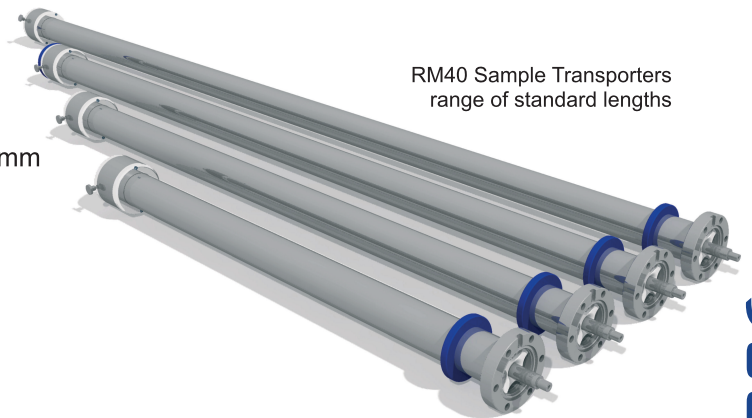


## RM40 :: SINGLE SHAFT SAMPLE TRANSPORTER

The RM40 is a simple, all metal sealed, linear-rotary feedthrough for ultra high vacuum applications. A set of rare earth magnets on the air- and vacuum side provides the necessary force to ensure a rigid coupling from the handle to the shaft.

### Specifications

- linear travel: 500mm, 750mm, 1000mm, 1250mm or customized
- linear force/torque: 70N/5Nm
- bakeout temperature: 150deg C max.
- He leak rate:  $<1 \cdot 10^{-10}$  mbar $\cdot$ l/s
- pressure range  $1 \cdot 10^{-11}$  mbar to 1000mbar
- fully UHV compatible materials



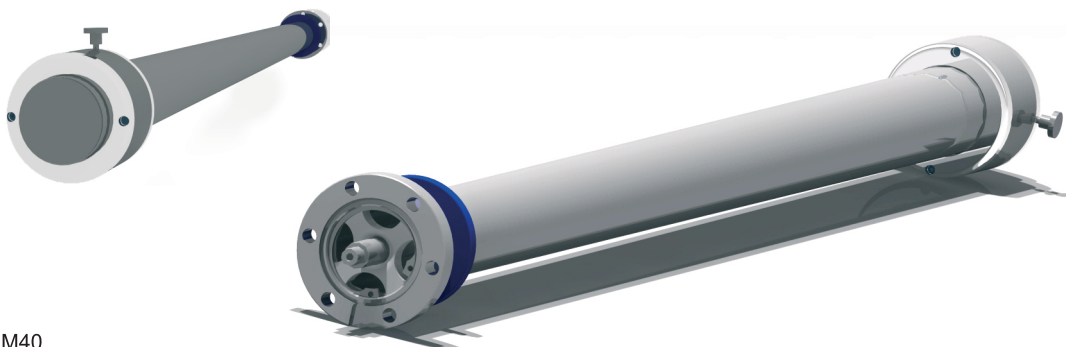
RM40 Sample Transporters  
range of standard lengths

**Slide bearings guarantee for smooth operation - even after numerous bakeout cycles**

### RM40 :: Sample Transporter with slide bearings

The RM40 has been **re-engineered with superior slide bearing technology** for an extra long lifetime and smooth operation - as proven by years of experience with our wobblestick manipulators.

It's simplified design also means that we can offer it at **lower sales prices**.

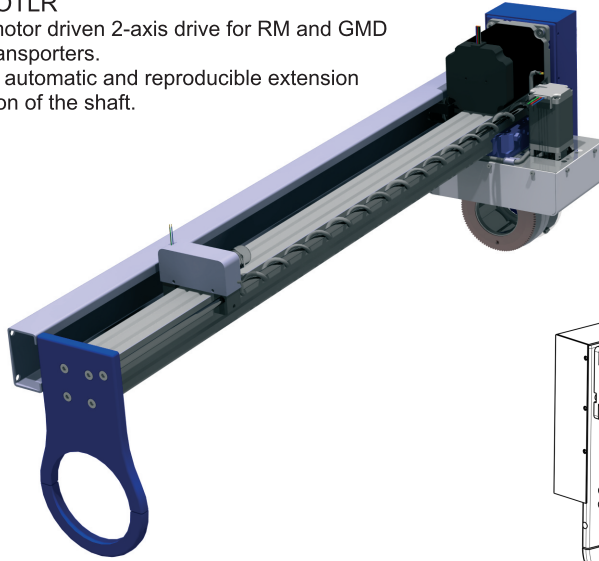


RM40  
Single Shaft Sample Transporter with slide bearings

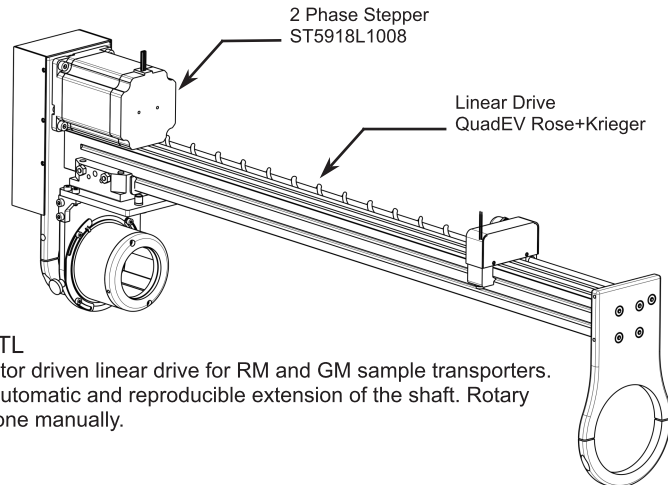
### A selection of Sample Transporter accessories ::

#### DRVRMOTLR

Stepper motor driven 2-axis drive for RM and GMD sample transporters.  
Allows for automatic and reproducible extension and rotation of the shaft.



Please do not hesitate to contact us for further information  
**"you name it, we build it!"**

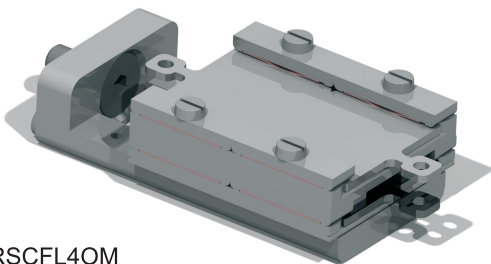
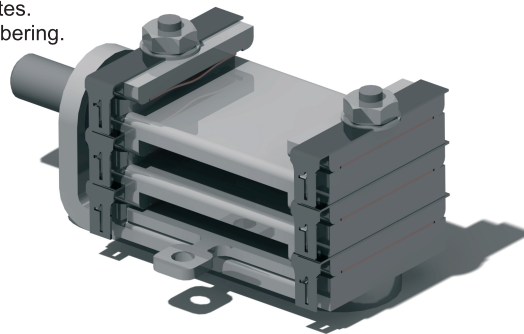


#### DRVRMOTL

Stepper motor driven linear drive for RM and GM sample transporters.  
Allows for automatic and reproducible extension of the shaft. Rotary motion is done manually.

#### RECOMSTACKO(03H00S)L

Labelled sample storage stack for SHOM flag style sample plates.  
This example has 3 single spaced slots and customizable numbering.  
Fits all of our single shaft manipulators.



#### RSCFL4OM

Especially compact revolving sample carrier for four SHOM sample plates.  
A spring loaded snap-in device holds the platform at predefined angular positions of 30° and 45°.

