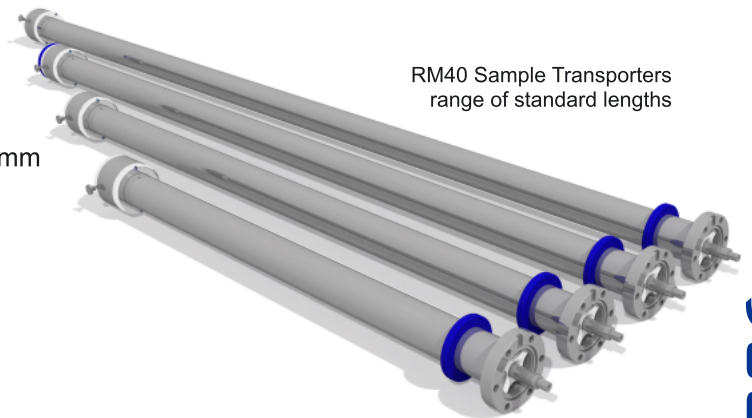


RM40 :: SINGLE SHAFT SAMPLE TRANSPORTER

The RM40 is a simple, all metal sealed, linear-rotary feedthrough for ultra high vacuum applications. A set of rare earth magnets on the air- and vacuum side provides the necessary force to ensure a rigid coupling from the handle to the shaft.

Specifications

- linear travel: 500mm, 750mm, 1000mm, 1250mm or customized
- linear force/torque: 70N/5Nm
- bakeout temperature: 150deg C max.
- He leak rate: $<1 \cdot 10^{-10}$ mbar \cdot l/s
- pressure range $1 \cdot 10^{-11}$ mbar to 1000mbar
- fully UHV compatible materials



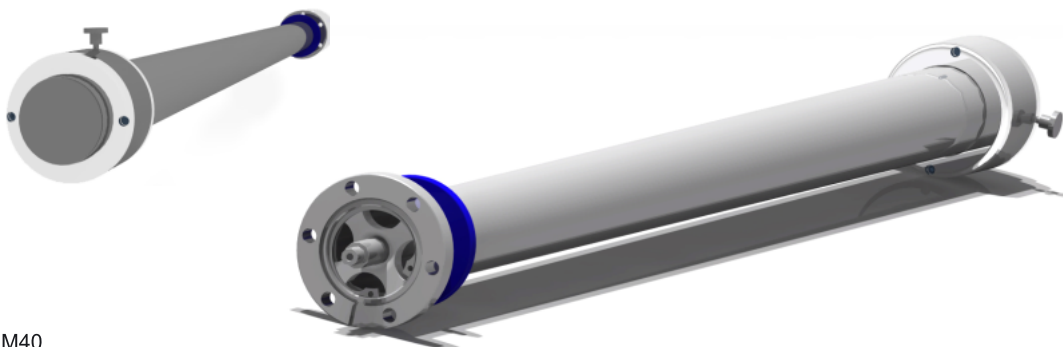
RM40 Sample Transporters
range of standard lengths

Slide bearings guarantee for smooth operation - even after numerous bakeout cycles

RM40 :: Sample Transporter with slide bearings

The RM40 has been **re-engineered with superior slide bearing technology** for an extra long lifetime and smooth operation - as proven by years of experience with our wobblestick manipulators.

It's simplified design also means that we can offer it at **lower sales prices**.

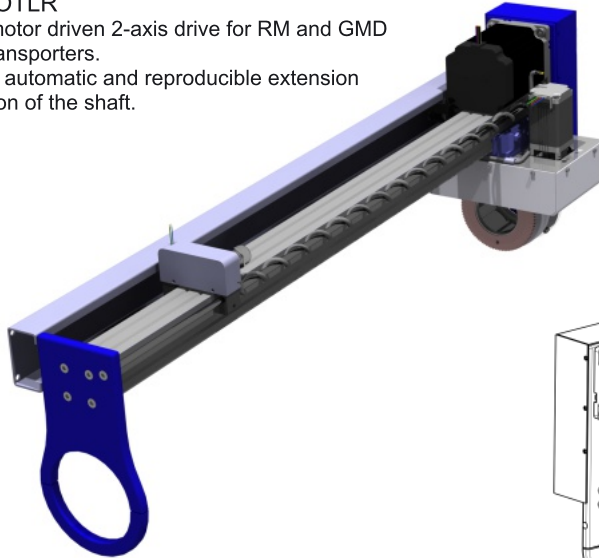


RM40
Single Shaft Sample Transporter with slide bearings

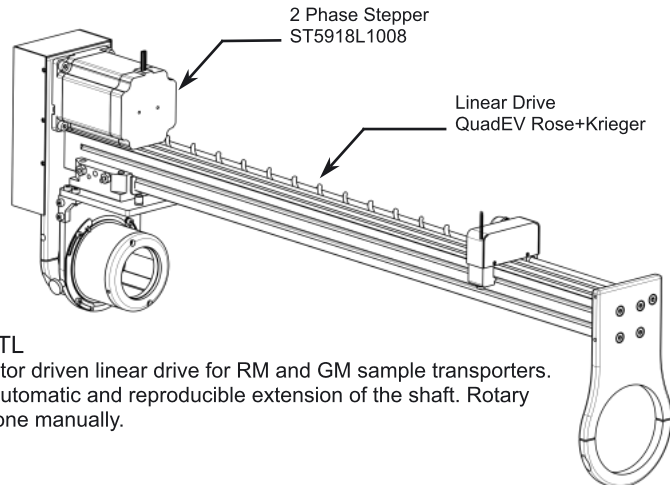
A selection of Sample Transporter accessories ::

DRVRMOTLR

Stepper motor driven 2-axis drive for RM and GMD sample transporters.
Allows for automatic and reproducible extension and rotation of the shaft.



Please do not hesitate to contact us for further information
"you name it, we build it!"

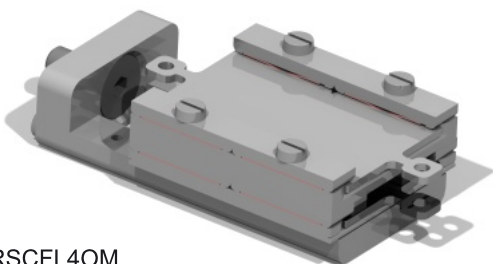
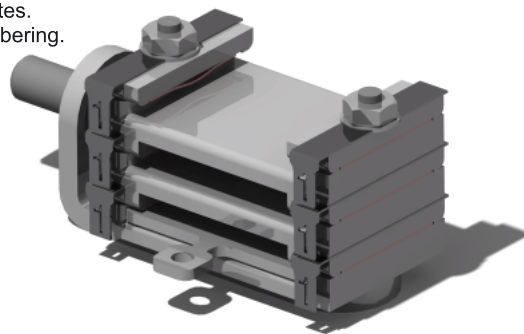


DRVRMOTL

Stepper motor driven linear drive for RM and GM sample transporters.
Allows for automatic and reproducible extension of the shaft. Rotary motion is done manually.

RECOMSTACKO(03H00S)L

Labelled sample storage stack for SHOM flag style sample plates.
This example has 3 single spaced slots and customizable numbering.
Fits all of our single shaft manipulators.



RSCFL40M

Especially compact revolving sample carrier for four SHOM sample plates.
A spring loaded snap-in device holds the platform at predefined angular positions of 30° and 45°.

