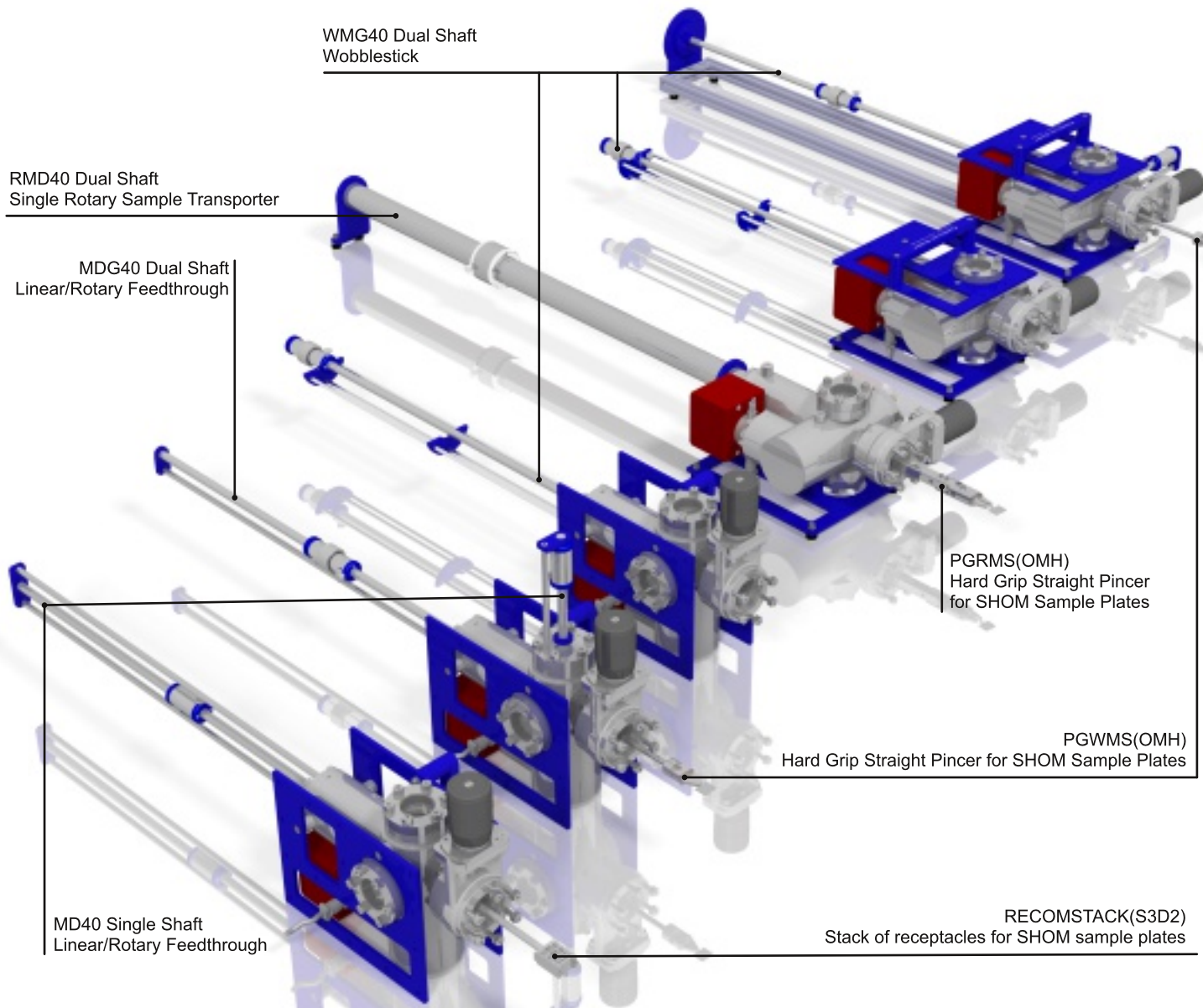


VSN40S :: NEXGENERATION UHV SUITCASE

The use of the combined Non-Evaporable Getter (NEG)/Ion-pump technology made it possible to design a truly portable and at the same time fully featured, ultra compact, light and slim UHV system. The NexGeneration UHV Suitcase can be individually ordered as an option for different versions of vertical or horizontal usage.



The type and travel range of the transfer arm, as well as the sample-grabbing mechanism, can be configured modularly. The NexGeneration UHV Suitcase is fully compatible with our wide range of sample manipulators such as linear/rotary feedthroughs, wobblesticks and sample transporters.

The high voltage for the ion-pump element is delivered by our rechargeable battery-driven power supply LSA2. The corresponding pressure can be monitored on the I/P table of the pump manufacturer. The NEG element can be activated with any standard DC lab power supply.

Our functional NexGeneration UHV Suitcase is a reliable system to carry your samples under ultra-high vacuum conditions. Please do not hesitate to contact us directly: suitcase@ferrovac.com

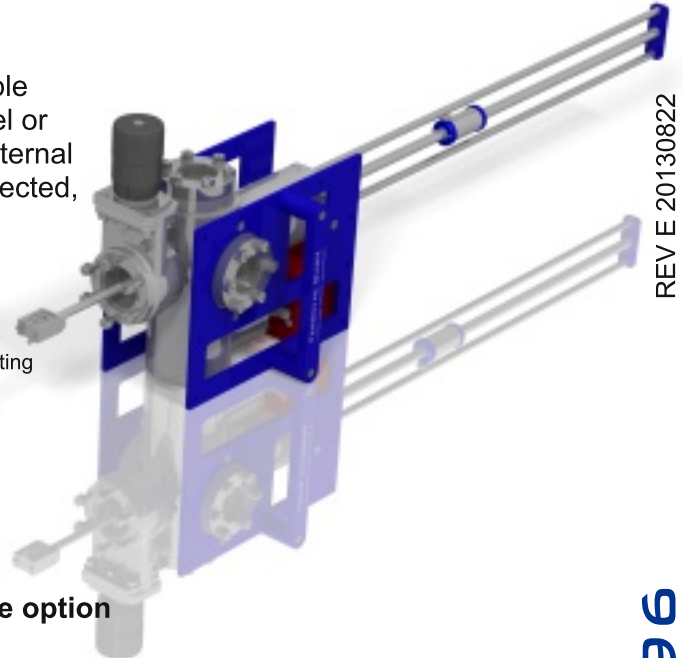
Storage Sample Transfer

The suitcase can be used in combination with a storage sample transfer mechanism such as a stack of receptacles, a carousel or similar mounted on the suitcase-manipulator. Therefore an external manipulator of the UHV system, to which the suitcase is connected, must actively grab the samples from the extracted suitcase-manipulator's sample storage.

Configuration example Storage Transfer

VSNH40S(VL)	NexGeneration Suitcase vertical usage left-handed operating
MD40	Linear/Rotary Feedthrough
XXXX	Fully extracted distance from gate valve flange face
ADSTACKS	Straight Adapter for RECOMSTACK
RECOMSTACK(S3D2)	Stack of receptacles for SHOM sample plates
TSMD	Tube Support for MD16(TS) and MD40

Order code: VSNH40S(VL)-MD40-XXXX-ADSTACKS-RECOMSTACK(S3D2)-TSMD



REV E 20130822

Single Sample Transfer with sample storage option

The suitcase can be used in combination with a single sample transfer mechanism such as a pincer grip, a fork or similar mounted on the suitcase-manipulator.

Therefore the suitcase-manipulator grabs the samples directly from the connected UHV system.

An optional key feature is to install an additional linear/rotary feedthrough featuring a stack of sample receptacles serving as sample storage for multiple samples.

This allows the user not only to transport just one sample at a time, but also to store a larger number of samples under true UHV conditions and to exchange several samples at once from the connected system in a step-by-step mode.

- ULTRA COMPACT
- ULTRA LIGHT
- ULTRA SLIM
- ULTRA INDIVIDUAL
- ULTRA MODULAR
- ULTRA-LOW BASE PRESSURE
- ULTRA FUNCTIONAL

Configuration example Single Sample Transfer with multiple sample option

VSNH40S(VL)	NexGeneration UHV Suitcase vertical left-handed
MDG40	Linear/Rotary Feedthrough
XXXX	Fully extracted distance from gate valve flange face
PGWMS(OMH)	Hard Grip Straight Pincer for SHOM Sample Plates
TSMDH	Tube Support for MD16(TS) and MD40 single sided
MD40(Y0)	Linear/Rotary Feedthrough zero retracted length
ADSTACKS	Straight Adapter for RECOMSTACK
RECOMSTACK(S3D2)	Stack of receptacles for SHOM sample plates
TSMDH	Tube Support for MD16(TS) and MD40 single sided

Order code: VSNH40S(VL)-MDG40-XXXX-PGWMS(OMH)-TSMDH-MD40(Y0)-ADSTACKS-RECOMSTACK(S3D2)-TSMDH

