

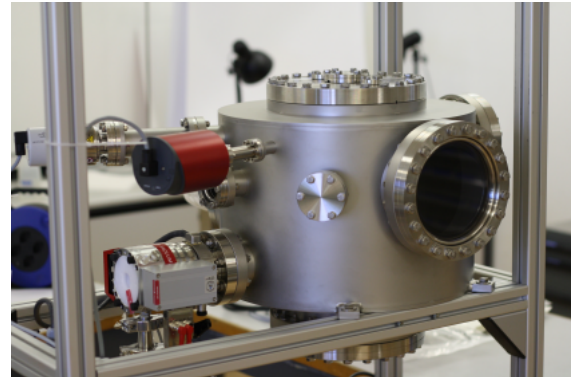
ENGINEERING FOR SCIENCE

SPARX Swarm PARAmeter eXperiment

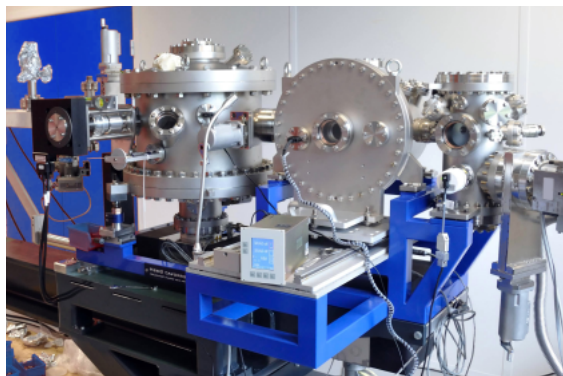
UHV-system for studying the dielectric strength of gases

The United Nations classified SF6 a greenhouse gas. Countries are obliged to reduce emissions. Technical development must aim at decreasing SF6 emissions. For dielectric insulation applications it might be possible to replace SF6 by a different gas or gas mixture. No alternative gas is yet established. This project aims at finding a suitable replacement to SF6 through fundamental research.

Designed by High Voltage Laboratory, Swiss Federal Institute of Technology ETH Zurich and built by Ferrovac
Operational at EEH, High Voltage Laboratory, Swiss Federal Institute of Technology ETH Zurich



REV 20120123



AERHA Adjustable Energy Resolution High Acceptance

UHV-Resonant Interference X-ray Scattering (RIXS) spectrometer

Study of X-ray absorption edges with improved resolution, observation of low-lying excitations associated with the ground state, band mapping, study of buried layers.

Developed by Université Pierre et Marie Curie Paris, designed and built by Ferrovac
Operational at SEXTANTS beamline, Synchrotrone SOLEIL Paris

MUST Molecular Ultrafast Science and Technology

UHV-Photoelectron spectrometer (SPECS) with in situ sample preparation system (Ferrovac)

Studying of molecular processes on surfaces and interfaces.

Sample Preparation System designed and built by University of Zurich and Ferrovac
Operational at University of Zurich

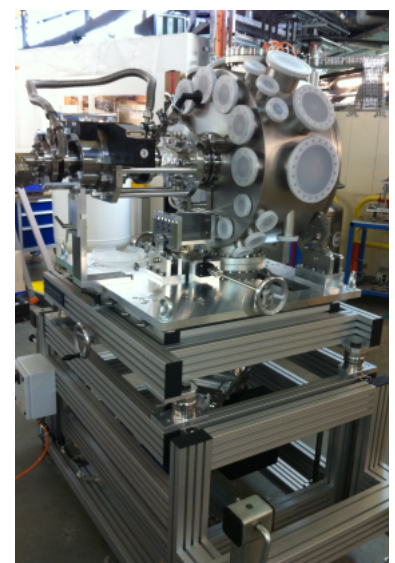


IRMA2 Instrument pour la Réflectivité MAGnetique

UHV-soft X-ray reflectometer for studies on thin surface layers

A new set-up dedicated to elastic and coherent resonant scattering experiments with polarized soft x-rays, focusing on magnetic materials, nano-objects and thin layers.

Developed by Synchrotron SOLEIL Paris, designed and built by Ferrovac
Operational at SEXTANTS beamline, Synchrotron SOLEIL Paris



FERROVAC GMBH

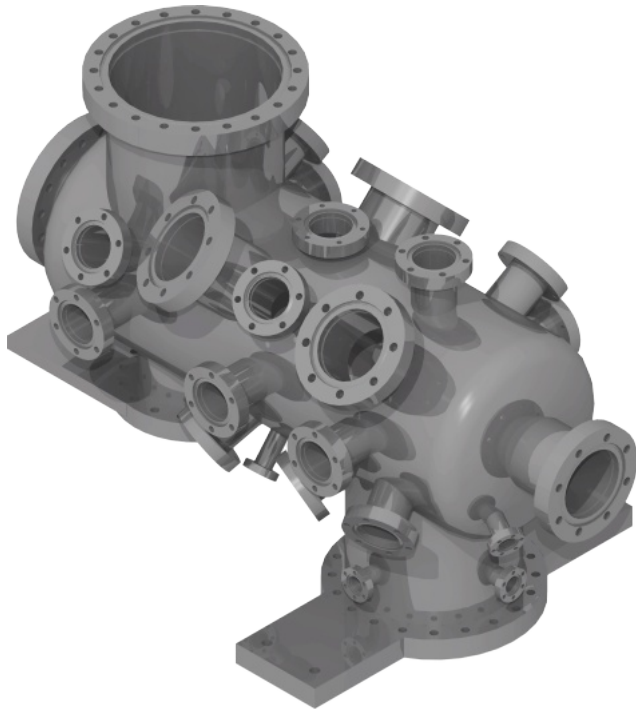
ULTRA HIGH VACUUM TECHNOLOGY

THURGAUERSTRASSE 72
CH-8050 ZÜRICH

SALES@FERROVAC.COM
WWW.FERROVAC.COM

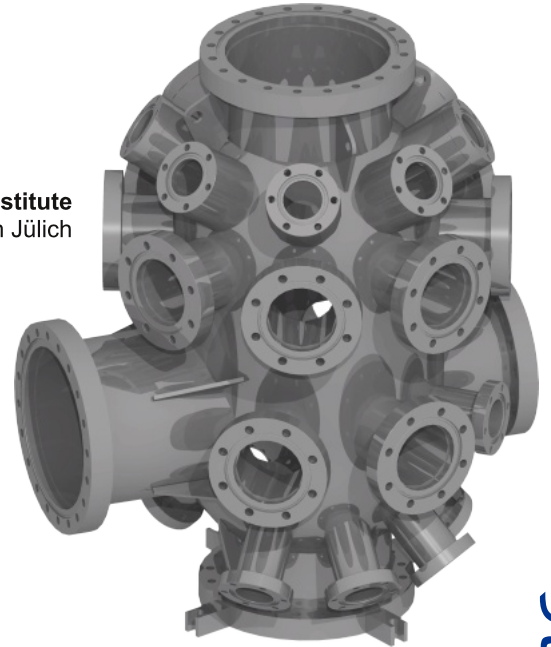
PHONE +41 44 273 16 38

UHV CHAMBERS

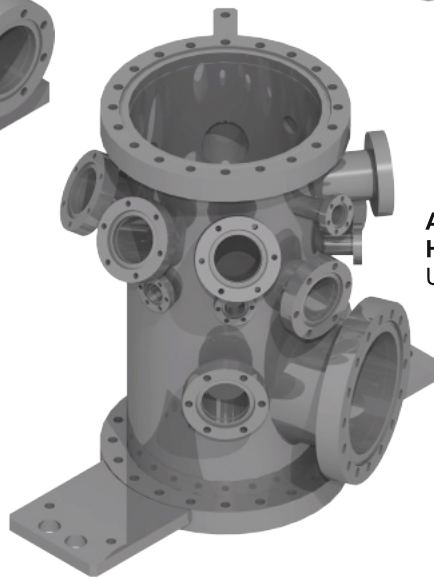


Nanolino Lab Departement of Physics
University of Basel

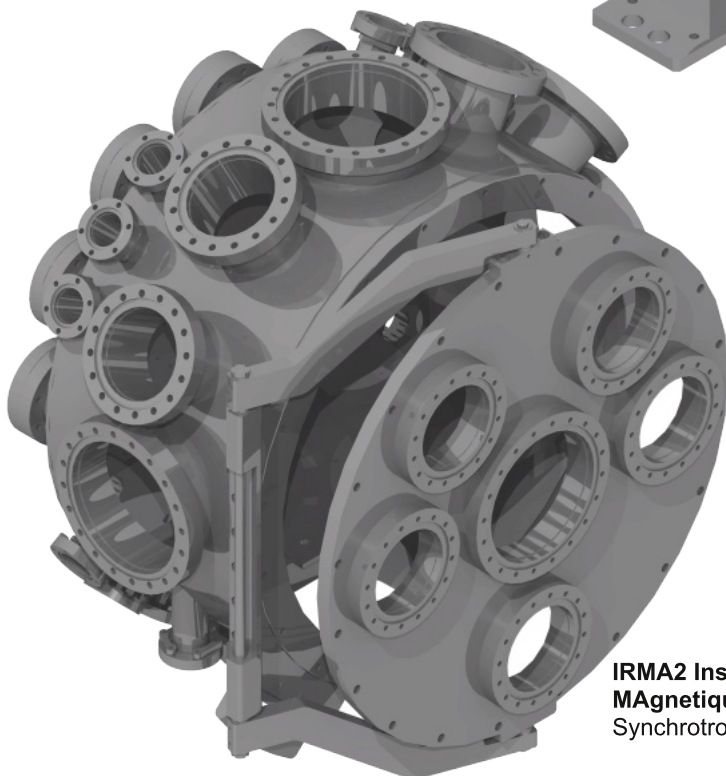
Peter Grünberg Institute
Forschungszentrum Jülich



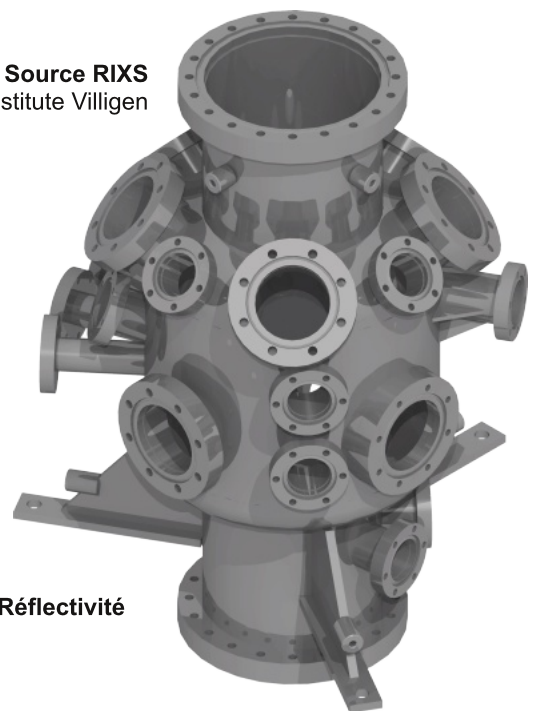
**AERHA Adjustable Energy Resolution
High Acceptance**
Université Pierre et Marie Curie Paris



Swiss Light Source RIXS
Paul Scherrer Institute Villigen



**IRMA2 Instrument pour la Réflectivité
MAGnetique**
Synchrotron SOLEIL Paris



REV 20120123

SWISS UHV TECHNOLOGY SINCE 1996