

RM :: SAMPLE TRANSPORTERS

The RM product line is an all metal sealed, linear-rotary feedthrough with independent rotation of the inner shaft. It's main purpose is to transport samples between UHV-chambers. A set of rare earth magnets on the air- and vacuum side provides the necessary force to ensure a rigid coupling from the handle to the shaft.



Specifications

- linear travel: 300mm, 500mm, 750mm, 1000mm or customized
- linear force/torque: 70N/5Nm
- bakeout temperature: 150deg C max.
- He leak rate: $<1 \cdot 10^{-10}$ mbar \cdot l/s
- pressure range $1 \cdot 10^{-11}$ mbar to 1000mbar
- fully UHV compatible materials (ball bearings dry lube coated)



RMD40-PGRMS(OM)
Dual Shaft Single Rotary Sample Transporter
with Pincer Grip for SHOM sample plates

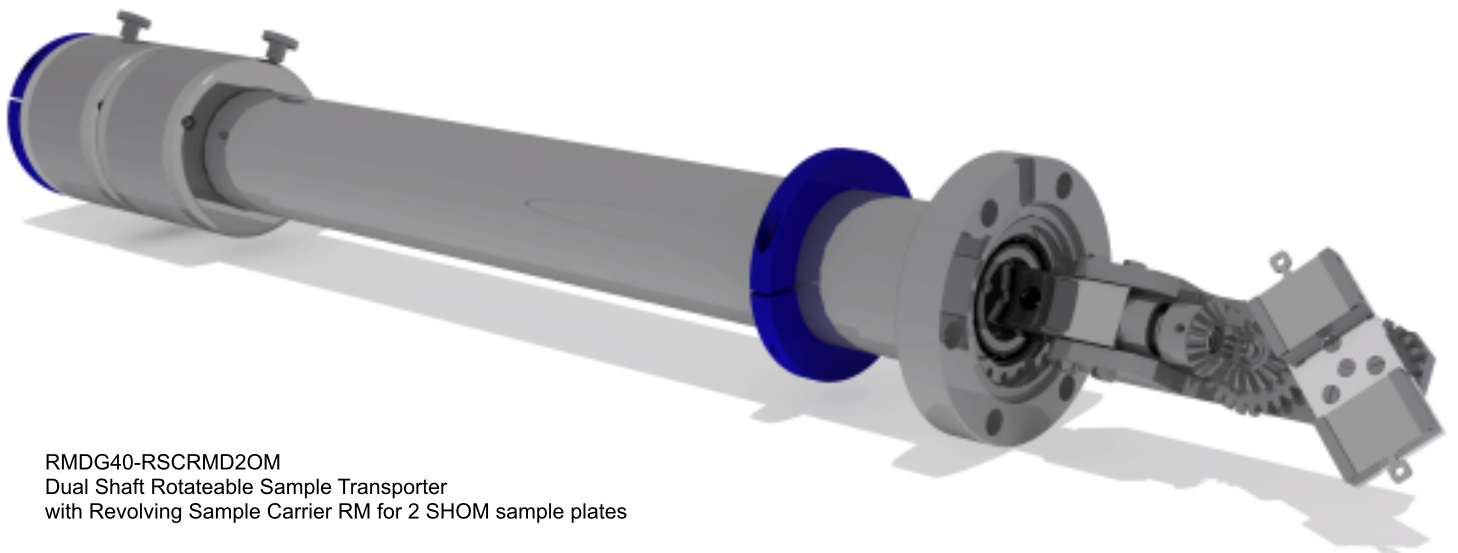
The square shaft makes RMD feedthroughs especially sturdy.

RMD40 Dual Shaft Single Rotary Sample Transporter

The independent rotary motion of the inner shaft can be used to operate a sample locking mechanism or to rotate the sample carrier platform.

RMDG40 Dual Shaft Rotateable Sample Transporter

The independent rotary motion of the inner as well as the outer shaft enhances operation of sample locking mechanisms and sample carrier platforms by being able to drive and also rotate them.



RMDG40-RSCRMD2OM
Dual Shaft Rotateable Sample Transporter
with Revolving Sample Carrier RM for 2 SHOM sample plates

FERROVAC GMBH

ULTRA HIGH VACUUM TECHNOLOGY

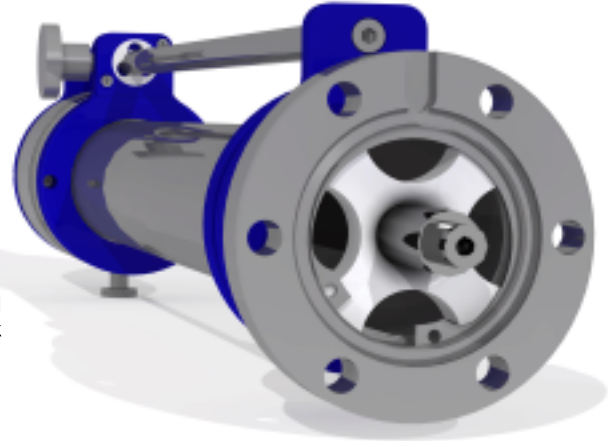
THURGAUERSTRASSE 72
CH-8050 ZÜRICH

SALES@FERROVAC.COM
WWW.FERROVAC.COM

PHONE +41 44 273 16 38

GMD40 Sample Transporter "the simple"

Dry lube coated ball bearings in combination with a specially designed slide bearing (in front) guarantee for smooth operation even after numerous bakeout cycles.

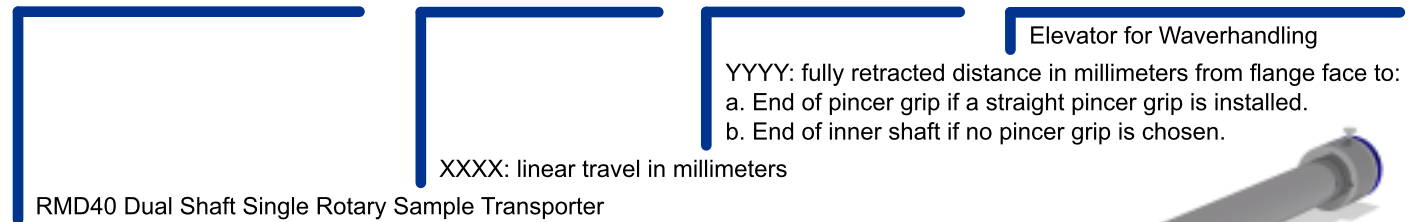


GMD40(TSR)-TSRM
Sample Transporter with linear position lock

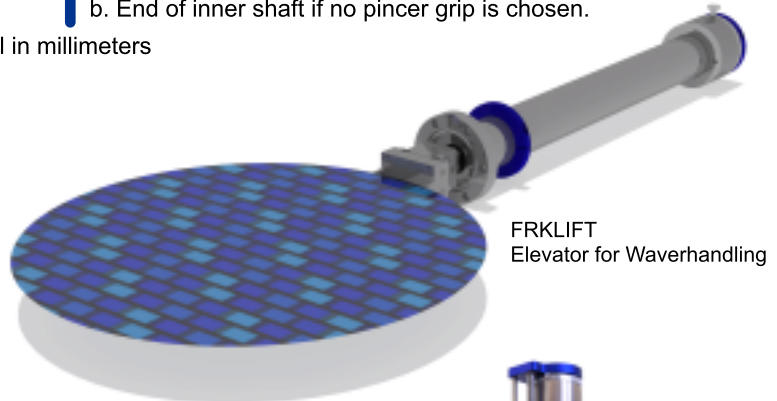
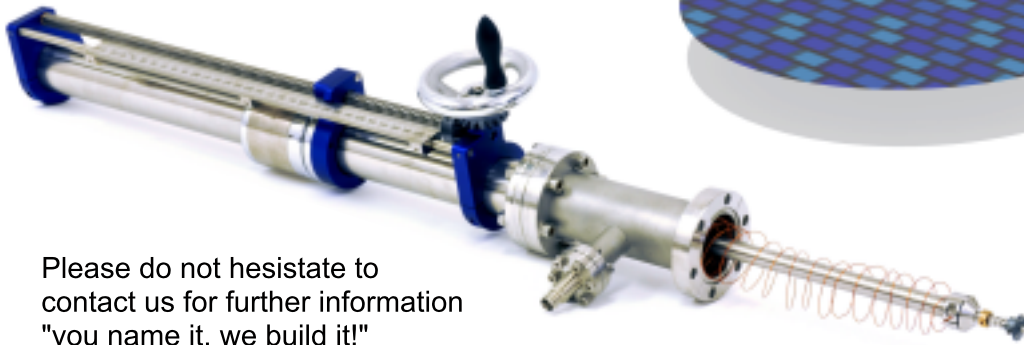
Modular design and customized linear travel

Example of an RMD40 Sample Transporter configuration:

RMD40-1000-0120-FRKLIFT



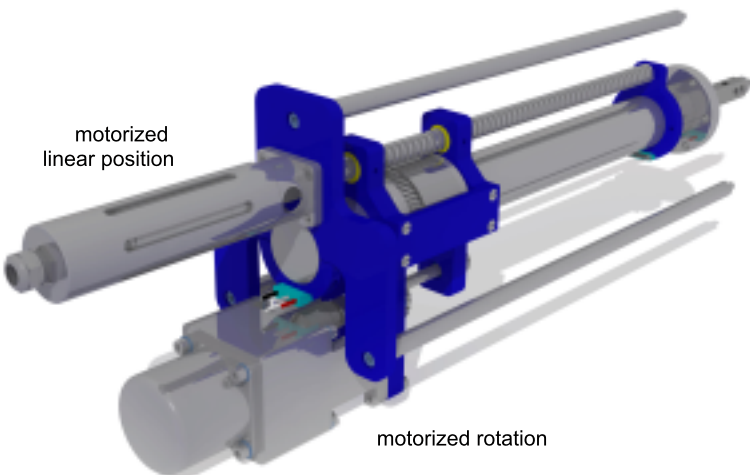
Selection of accessories



FRKLIFT
Elevator for Waverhandling

Please do not hesitate to contact us for further information "you name it, we build it!"

linear position by handwheel



motorized
linear position

motorized rotation



REV 20120118

SWISS UHV TECHNOLOGY SINCE 1996