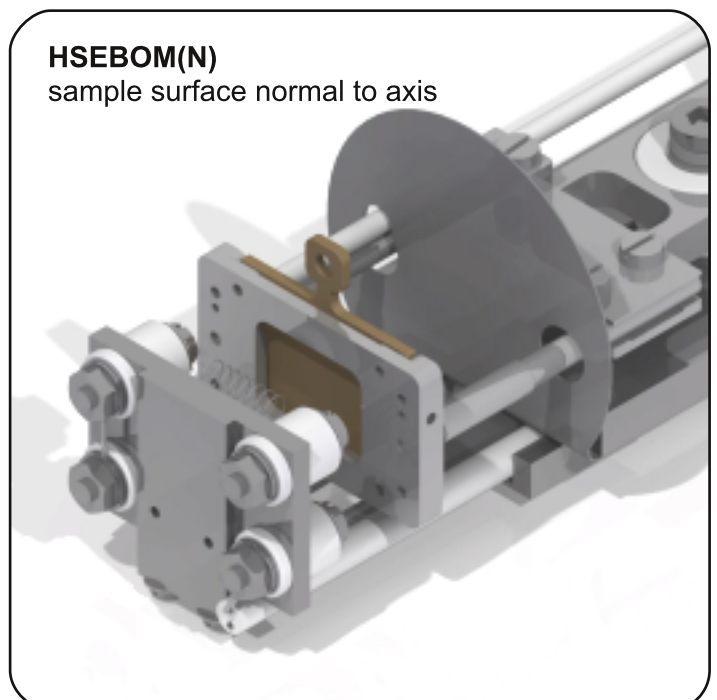
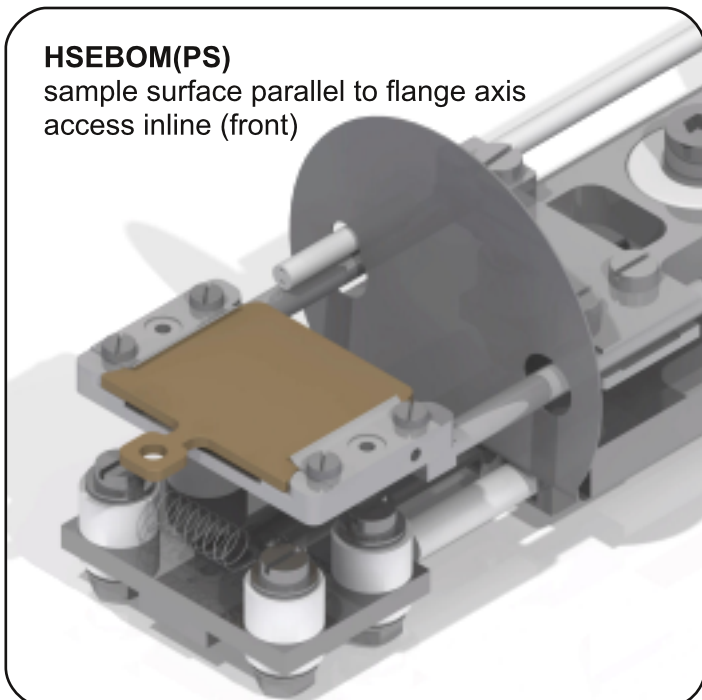
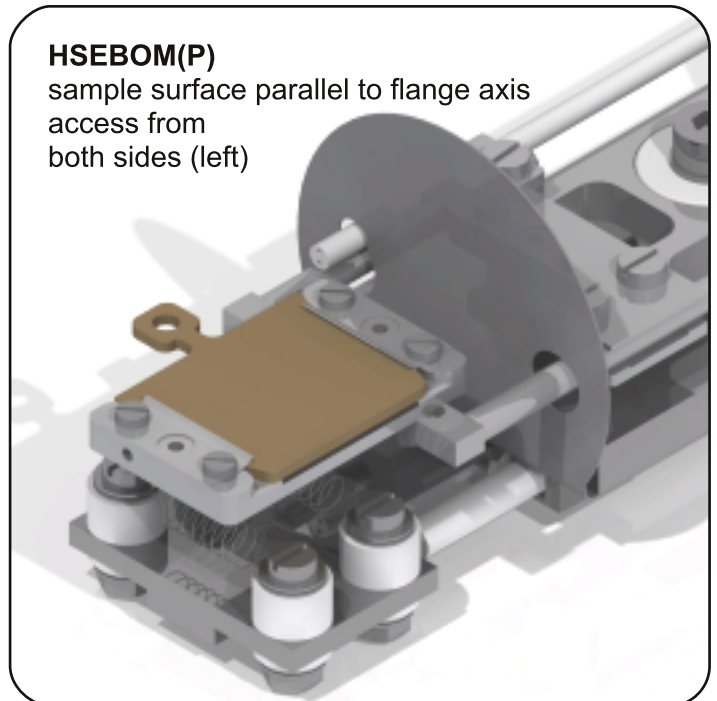
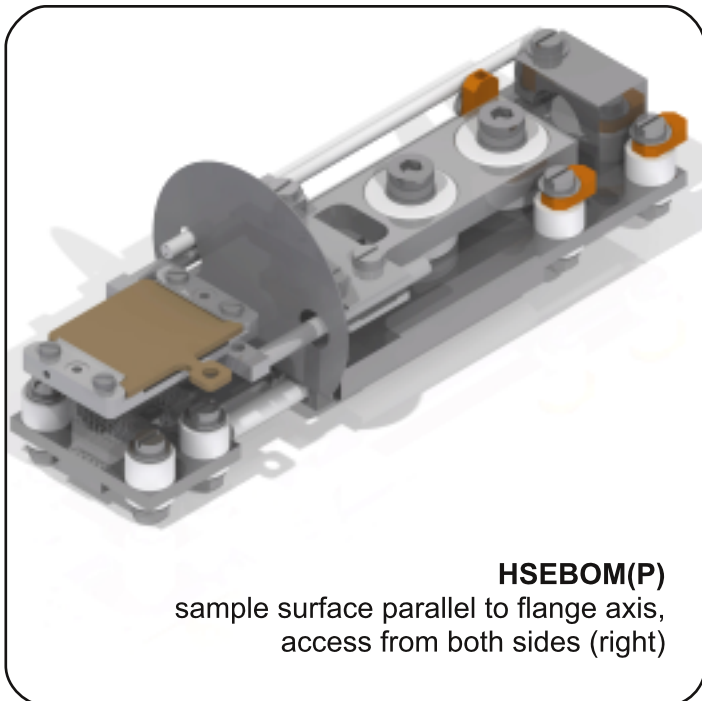


HSEBOM :: HOT STUFF!

Heating / Annealing by Electron Bombardment

A versatile heating stage for SHOM sample plates. The Positive high voltage applied to the sample, attracts free electrons generated by a tungsten filament which is placed on the rear side of the plate. With this very effective way of heating, temperatures of $\sim 2000^{\circ}\text{C}$ can be reached within a few seconds. For moderate heating up to $\sim 500^{\circ}\text{C}$, irradiation of the sample by the tungsten filament is sufficient. Heating stage assemblies (HSAS, see below) can be configured regarding sample orientation and working distance.



HSAS40 :: MADE TO ORDER

Heating Stage Assembly DN40CF

- an example of a configured Heating Stage Assembly:

